

Möten och paus-23.3-5834-2022-011
Sono Sverige AB produktlista 1

Price List

2024



ocee & four
DESIGN

20% rabatt ska dras av på angivna priser



FEATURES

- Table height 74 cm. Comes with 4 Castors with brakes.
- Foldable by one person without the use of tools
- Matching ABS edges
- Powder coated frame options
- To ensure optimum stability on uneven surfaces we would recommend specifying with adjustable castors
- Delivered unassembled

For product information visit oceefour.com ↗

TABLE TOP

Decor



Laminate



Fenix laminate



FRAME COLOURS

Standard


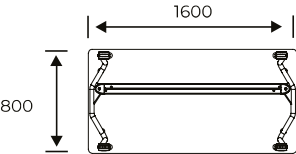

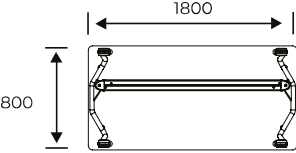




Frame optional*




For full colour details [go to page 250](#) ↗

Product	Description (Item nr)	Weight (Kg)	Dimensions (mm)	Top	Price (SEK)
	66040 FourFold®, 140 x 70, Folding leg	25.7		Decor 8.056 Laminate 9.291 Fenix laminate 12.339	
	66050 FourFold®, 140 x 70 trapez, Folding leg	19.9		Decor 8.056 Laminate 9.291 Fenix laminate 12.339	
	66080 FourFold®, 140 x 70-100 Taper, Folding leg	29.3		Decor 8.589 Laminate 9.877 Fenix laminate 13.003	
	66000 FourFold®, 150 x 75, Folding leg	28.5		Decor 8.056 Laminate 9.291 Fenix laminate 12.339	
	66010 FourFold®, 150 x 75 trapez, Folding leg	21.9		Decor 8.056 Laminate 9.291 Fenix laminate 12.339	

Product	Description (Item nr)	Weight (Kg)	Dimensions (mm)	Top	Price (SEK)
	66020 FourFold®, 160 x 80, Folding leg	31.3		Decor	9.065
				Laminate	10.787
				Fenix laminate	14.880
	66030 FourFold®, 180 x 80, Folding leg	34		Decor	9.670
				Laminate	11.393
				Fenix laminate	15.486

ACCESSORIES	Description	Weight (Kg)	Dimensions (mm)	Price (SEK)
	FEET Height adjustable castors in black with brakes			2.053
	LOCK Set of 2			408

SURCHARGE		Price (SEK)
FRAME OPTIONAL	 6	382

Tray

Design by Studio Ocee

[Content](#)



FEATURES

- Two shapes: rectangular or circular
- Two heights: 8 cm or 14 cm
- Two finishes: natural oak or black oak veneer (70% FSC mix)
- Can be freestanding with a round steel foot
- Can be mounted in the 25 mm gap on FourReal Flex/A Flex
- Standing trays can be used across all products in our FourReal® Family
- Delivered flat-packed; easy to assemble and install



For product information visit oceefour.com

COLOUR

Veneer




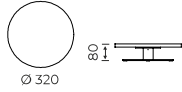

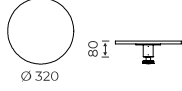

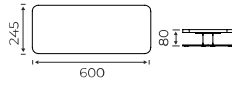

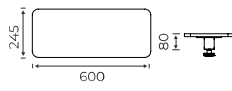

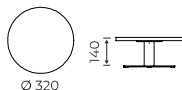
FRAME COLOURS

Standard



01


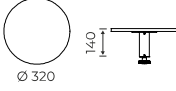

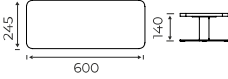

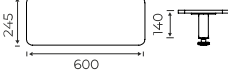
For full colour details [go to page 236](#)

Product	Description (Item no)	Weight (Kg)	Dimensions (mm)	Top	Price (SEK)
	ATTR1641 Tray, Standing, Ø32, Height 80	2,7		Veneer	1.577
	ATTR2641 Tray, Fixed, Ø32, Height 80	1,3		Veneer	1.264
	ATTR1651 Tray, Standing, 60x24.5, Height 80	3,3		Veneer	1.827
	ATTR2651 Tray, Fixed, 60x24.5, Height 80	1,9		Veneer	1.514
	ATTR1642 Tray, Standing, Ø32, Height 140	2,9		Veneer	1.592

Tray

Design by Studio Ocee

[Content ↗](#)

Product	Description (Item no)	Weight (Kg)	Dimensions (mm)	Top	Price (SEK)
	ATTR2642 Tray, Fixed, Ø32, Height 140	1,4		Veneer	1.280
	ATTR1652 Tray, Standing, 60x24.5, Height 140	3,4		Veneer	1.842
	ATTR2652 Tray, Fixed, 60x24.5, Height 140	2		Veneer	1.530

20% rabatt ska dras av på angivna priser

Power Cube

Design by Studio Ocee

[Content](#) ↗



FEATURES

- Wooden power cube with Evoline ONE unit
- Power socket available in white or black
- USB A+C unit available in white or black
- GST18 socket
- 3 m black cord
- Cube available in natural or black solid oak
- 70% FSC mix

For product information visit oceefour.com ↗

COLOUR

Standard


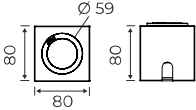

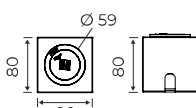


UNIT COLOURS

Standard



For full colour details [go to page 236](#) ↗

Product	Description (Item no)	Weight (Kg)	Dimensions (mm)	Colour	Price (SEK)
	APOW01 Power Cube, Power A16	1,05		Solid oak	1.639
	APOW02 Power Cube, USB A+C	1,05		Solid oak	2.342



20% rabatt ska dras av på angivna priser



FEATURES

- Table height 72,5 cm – integrated castors on two legs.
- With height adjustment glides on the other two legs to aid movement.
- Foldable by one person without the use of tools (thickness of folded table 15 cm).
- Matching ABS edges. Powder coated frame options.
- Electrical units are optional.



For product information visit oceefour.com ↗

TABLE TOP

Decor



Laminate



Fenix laminate



Linoleum



FRAME COLOURS

Standard


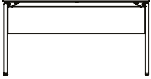


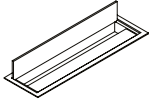
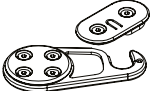



For electrical accessories [go to page 228](#) ↗

For full colour details [go to page 236](#) ↗

Product	Description (Item nr)	Weight (Kg)	Chair suspension	Dimensions (mm)	Top	Price (SEK)
	11630 Four® Learning, 128 x 64, Folding legs	22.5	2		Decor Laminate Fenix laminate Linoleum	7.012 7.866 9.679 11.511
	11610 Four® Learning, 140 x 70, Folding legs	25.9	2		Decor Laminate Fenix laminate Linoleum	7.215 8.233 10.493 11.879

For tabletop cutout placements go to: Oceedesign.com/Cutout.pdf

ACCESSORIES	Description	Weight (Kg)	Dimensions (mm)	Price (SEK)
	MODESTY PANEL White			1.314
	MODESTY PANEL Black			1.314
	CHAIR SUSPENSION Chair suspension for FourCast2 Four, FourCast2 Line, FourSure 44, FourSure 88, FourSure 11, FourSure 99, Four Stools, Four Seating Benches	0,3 Kg		255
	CHAIR SUSPENSION Chair suspension for FourCast2 Wheeler, FourSure 66	0,3 Kg		255
	CABLE CUT OUT Cable duct, aluminum. Cable duct placed in apron			2.030
	CABLE CUT OUT			711
	LINKING DEVICE Linking Device, set of 4 pcs - 2 x he, 2 x she per table			525
	TABLE TROLLEY - 20100001 Trolley for 10 Folded Tables or 7 round tables, including strap	20 Kg	1720 mm x 550 mm x 980 mm. Folded Table: 150 mm	8.773

Four® Eating

Design by Strand+Hvass

[Content ↗](#)



FEATURES

- Table height 72,5 cm – integrated castors on two legs with height adjustment.
- With height adjustment glides on the other two legs to aid movement.
- Foldable by one person without the use of tools.
- Matching ABS edges. Powder coated frame options.
- Electrical units are optional and will be positioned in the centre of tables as standard.



For product information visit oceefour.com ↗

TABLE TOP

Decor



Laminate



Fenix laminate



Linoleum



FRAME COLOURS

Standard



For electrical accessories [go to page 228](#) ↗

For full colour details [go to page 236](#) ↗


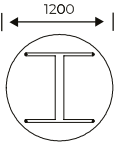
Product	Description (Item nr)	Weight (Kg)	Chair suspension	Dimensions (mm)	Top	Price (SEK)
	120E0 Four® Eating, 80 x 80 with 80 x 70 frame, Folding legs	17.9	2		Decor Laminate Fenix laminate Linoleum	5.247 7.103 8.551 10.085
	12000 Four® Eating, 120 x 80, Folding legs	23.4	4		Decor Laminate Fenix laminate Linoleum	7.104 8.116 10.265 11.630
	12050 Four® Eating, 140 x 80, Folding legs	28.4	4		Decor Laminate Fenix laminate Linoleum	7.397 8.476 11.137 12.285
	12040 Four® Eating, 160 x 80, Folding legs	31.4	4		Decor Laminate Fenix laminate Linoleum	7.672 9.048 11.984 12.741
	12010 Four® Eating, 180 x 80, Folding legs	34.3	6		Decor Laminate Fenix laminate Linoleum	7.968 9.417 12.855 13.171

For tabletop cutout placements go to: Oceedesign.com/Cutout.pdf



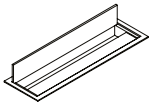
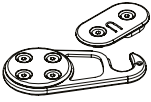

Four® Eating

Design by Strand+Hvass

[Content ↗](#)

Product	Description (Item nr)	Weight (Kg)	Chair suspension	Dimensions (mm)	Top	Price (SEK)
	12020 Four® Eating, Ø 120, Folding legs	24.9	2		Decor	7.735
					Laminate	9.017
					Fenix laminate	12.345
					Linoleum	13.861

For tabletop cutout placements go to: [Oceedesign.com/Cutout.pdf](https://oceedesign.com/Cutout.pdf)

ACCESSORIES	Description	Weight (Kg)	Dimensions (mm)	Price (SEK)
	CHAIR SUSPENSION Chair suspension for FourCast2 Four, FourCast2 Line, FourSure 44, FourSure 88, FourSure 11, FourSure 99, Four Stools, Four Seating Benches	0,3 Kg		255
	CHAIR SUSPENSION Chair suspension for FourCast2 Wheeler, FourSure 66	0,3 Kg		255
	CABLE CUT OUT Cable duct, aluminum. Cable duct placed in apron			2.030
	CABLE CUT OUT			711
	LINKING DEVICE Linking Device, set of 4 pcs - 2 x he, 2 x she per table			525
	TABLE TROLLEY - 20100001 Trolley for 10 Folded Tables or 7 round tables, including strap	20 Kg	1720 mm x 550 mm x 980 mm. Folded Table: 150 mm	8.773

20% rabatt ska dras av på angivna priser

Four® Meeting

Design by Strand+Hvass

[Content ↗](#)



FEATURES

- Table height 72,5 cm – integrated castors on two legs.
- With height adjustment glides on the other two legs to aid movement.
- Foldable by one person without the use of tools (thickness of folded table 15 cm).
- Matching ABS edges. Powder coated frame options.
- Electrical units are optional and will be positioned in the centre of tables as standard.



For product information visit oceefour.com ↗

TABLE TOP

FRAME COLOURS

Standard



Laminate




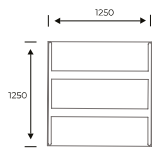

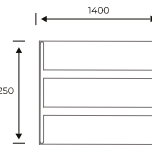

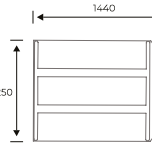
Fenix laminate



Linoleum



For full colour details [go to page 236](#) ↗


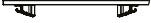
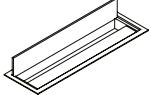
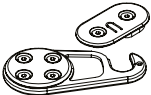
Product	Description (Item nr)	Weight (Kg)	Chair suspension	Dimensions (mm)	Top	Price (SEK)
	11730 Four® Meeting, 125 x 125, Folding legs	42.1	4		Laminate Fenix laminate Linoleum	13.486 18.061 19.362
	11750 Four® Meeting, 125 x 140, Folding legs	45.7	4		Laminate Fenix laminate Linoleum	14.218 18.602 19.881
	11740 Four® Meeting, 125 x 144 D-shape, Folding legs	39.1	4		Laminate Fenix laminate Linoleum	14.797 19.077 20.317

For tabletop cutout placements [go to: Oceedesign.com/Cutout.pdf](http://Oceedesign.com/Cutout.pdf)

Four® Meeting

Design by Strand+Hvass

[Content](#) ↗

ACCESSORIES	Description	Weight (Kg)	Dimensions (mm)	Price (SEK)
	CHAIR SUSPENSION Chair suspension for FourCast2 Four, FourCast2 Line, FourSure 44, FourSure 88, FourSure 11, FourSure 99, Four Stools, Four Seating Benches	0,3 Kg		255
	CHAIR SUSPENSION Chair suspension for FourCast2 Wheeler, FourSure 66	0,3 Kg		255
	CABLE CUT OUT Cable duct, aluminum. Cable duct placed in apron			2.030
	CABLE CUT OUT			711
	LINKING DEVICE Linking Device, set of 4 pcs - 2 x he, 2 x she per table			525

20% rabatt ska dras av på angivna priser

Four® Standing

Design by Strand+Hvass

[Content ↗](#)



FEATURES

- Table height 90 & 103 cm
- Integrated castors on two legs
- Powder coated frame options
- Matching ABS edges

For product information visit oceefour.com ↗

TABLE TOP

Decor



Laminate



Fenix laminate



Linoleum



FRAME COLOURS

Standard



For full colour details [go to page 236](#) ↗


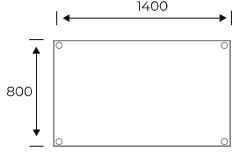



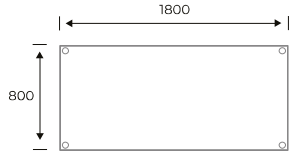
Product	Description (Item nr)	Weight (Kg)	Dimensions (mm)	Top	Price (SEK)
	12323 Four® Standing, 140 x 60, 90 cm	28.2		Decor	12.429
				Laminate	13.446
				Fenix laminate	16.095
				Linoleum	18.294
	12383 Four® Standing, 140 x 80, 90 cm	36.7		Decor	13.775
				Laminate	15.065
				Fenix laminate	18.726
				Linoleum	20.136
	12313 Four® Standing, 180 x 60, 90 cm	35.1		Decor	12.696
				Laminate	14.069
				Fenix laminate	18.420
				Linoleum	19.055
	12393 Four® Standing, 180 x 80, 90 cm	43.1		Decor	14.069
				Laminate	15.815
				Fenix laminate	20.403
				Linoleum	20.815
	12322 Four® Standing, 140 x 60, 103 cm	29.1		Decor	12.429
				Laminate	13.446
				Fenix laminate	16.095
				Linoleum	18.294

For tabletop cutout placements go to: Oceedesign.com/Cutout.pdf

Four® Standing

Design by Strand+Hvass

[Content ↗](#)

Product	Description (Item nr)	Weight (Kg)	Dimensions (mm)	Top	Price (SEK)
	12382 Four® Standing, 140 x 80, 103 cm	37.6		Decor	13.775
				Laminate	15.065
				Fenix laminate	18.726
				Linoleum	20.136
	12312 Four® Standing, 180 x 60, 103 cm	35.9		Decor	12.696
				Laminate	14.069
				Fenix laminate	18.420
				Linoleum	19.055
	12392 Four® Standing, 180 x 80, 103 cm	44		Decor	14.069
				Laminate	15.815
				Fenix laminate	20.403
				Linoleum	20.815

For tabletop cutout placements go to: Oceedesign.com/Cutout.pdf

20% rabatt ska dras av på angivna priser



20% rabatt ska dras av på angivna priser

Four® Resting

Design by Strand+Hvass

[Content](#) ↗



FEATURES

- Table height 51, 64, 72 & 103 cm
- Aluminium pedestal 4 and 5-star base
- Castors to table height 51 cm, 64 cm and 72 cm + 5 cm. in height.
- Matching ABS edges
- Powder coated frame options



For product information visit oceefour.com ↗

TABLE TOP

Decor



Laminate



Fenix laminate



Linoleum



FRAME COLOURS

Standard



Frame optional*



For full colour details [go to page 236](#) ↗

Product	Description (Item nr)	Weight (Kg)	Dimensions (mm)	Top	Price (SEK)
	12240 Four® Resting, Ø 60, 51 cm - 4 Star base	9.3	 Ø 600	Decor	5.103
				Laminate	6.128
				Fenix laminate	7.325
				Linoleum	8.277
	12243 Four® Resting, Ø 60, 64 cm - 4 Star base	9.6	 Ø 600	Decor	5.336
				Laminate	6.370
				Fenix laminate	7.555
				Linoleum	8.518
	12241 Four® Resting, Ø 60, 72,5 cm - 4 Star base	9.9	 Ø 600	Decor	5.336
				Laminate	6.370
				Fenix laminate	7.555
				Linoleum	8.518
	12242 Four® Resting, Ø 60, 103 cm - 4 Star base	10.7	 Ø 600	Decor	5.528
				Laminate	6.559
				Fenix laminate	7.743
				Linoleum	8.718
	12250 Four® Resting, Ø 70, 51 cm - 4 Star base	10.9	 Ø 700	Decor	5.214
				Laminate	6.450
				Fenix laminate	7.937
				Linoleum	8.960


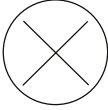

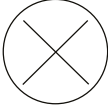

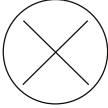









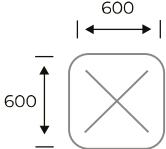

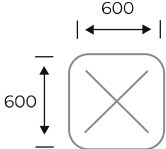

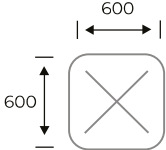

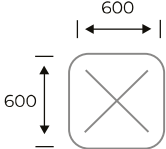
For tabletop cutout placements go to: Oceedesign.com/Cutout.pdf

20% rabatt ska dras av på angivna priser

Four® Resting

Design by Strand+Hvass

[Content ↗](#)


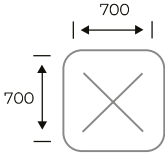

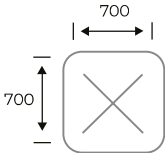

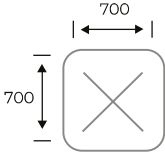

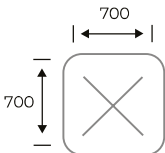

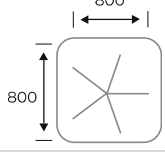

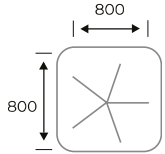

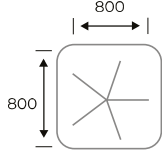

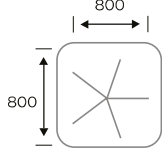

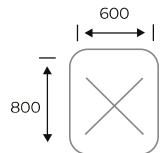

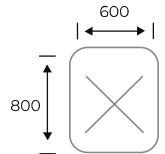

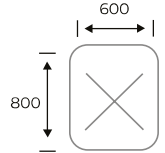
Product	Description (Item nr)	Weight (Kg)	Dimensions (mm)	Top	Price (SEK)
	12253 Four® Resting, Ø 70, 64 cm - 4 Star base	11.2	 Ø 700	Decor	5.466
				Laminate	6.669
				Fenix laminate	8.158
				Linoleum	9.194
	12251 Four® Resting, Ø 70, 72,5 cm - 4 Star base	11.4	 Ø 700	Decor	5.466
				Laminate	6.669
				Fenix laminate	8.158
				Linoleum	9.194
	12252 Four® Resting, Ø 70, 103 cm - 4 Star base	12.2	 Ø 700	Decor	5.647
				Laminate	6.871
				Fenix laminate	8.349
				Linoleum	9.384
	12265 Four® Resting, Ø 80, 51 cm - 5 Star base	12.9	 Ø 800	Decor	5.365
				Laminate	6.792
				Fenix laminate	8.607
				Linoleum	9.323
	12268 Four® Resting, Ø 80, 64 cm - 5 Star base	13.2	 Ø 800	Decor	5.594
				Laminate	7.025
				Fenix laminate	8.830
				Linoleum	9.545
	12266 Four® Resting, Ø 80, 72,5 cm - 5 Star base	13.4	 Ø 800	Decor	5.594
				Laminate	7.025
				Fenix laminate	8.830
				Linoleum	9.545
	12267 Four® Resting, Ø 80, 103 cm - 5 Star base	14.2	 Ø 800	Decor	5.807
				Laminate	7.212
				Fenix laminate	9.029
				Linoleum	9.747
	12230 Four® Resting, 60 x 60, 51 cm - 4 Star base	-	 600 600	Decor	5.103
				Laminate	6.128
				Fenix laminate	7.325
				Linoleum	8.277
	12233 Four® Resting, 60 x 60, 64 cm - 4 Star base	10.7	 600 600	Decor	5.336
				Laminate	6.370
				Fenix laminate	7.555
				Linoleum	8.518
	12231 Four® Resting, 60 x 60, 72,5 cm - 4 Star base	11	 600 600	Decor	5.336
				Laminate	6.370
				Fenix laminate	7.555
				Linoleum	8.518
	12232 Four® Resting, 60 x 60, 103 cm - 4 Star base	11.8	 600 600	Decor	5.528
				Laminate	6.559
				Fenix laminate	7.743
				Linoleum	8.718

For tabletop cutout placements go to: [Oceedesign.com/Cutout.pdf](https://oceedesign.com/Cutout.pdf)

Four® Resting

Design by Strand+Hvass

[Content](#) ↗

Product	Description (Item nr)	Weight (Kg)	Dimensions (mm)	Top	Price (SEK)
	12200 Four® Resting, 70 x 70, 51 cm - 4 Star base	-		Decor	5.214
				Laminate	6.450
				Fenix laminate	7.937
				Linoleum	8.960
	12203 Four® Resting, 70 x 70, 64 cm - 4 Star base	-		Decor	5.466
				Laminate	6.669
				Fenix laminate	8.158
				Linoleum	9.194
	12201 Four® Resting, 70 x 70, 72,5 cm - 4 Star base	13		Decor	5.466
				Laminate	6.669
				Fenix laminate	8.158
				Linoleum	9.194
	12202 Four® Resting, 70 x 70, 103 cm - 4 Star base	13.8		Decor	5.647
				Laminate	6.871
				Fenix laminate	8.349
				Linoleum	9.384
	12215 Four® Resting, 80 x 80, 51 cm - 5 Star base	15		Decor	5.365
				Laminate	6.792
				Fenix laminate	8.607
				Linoleum	9.323
	12218 Four® Resting, 80 x 80, 64 cm - 5 Star base	15.2		Decor	5.594
				Laminate	7.025
				Fenix laminate	8.830
				Linoleum	9.545
	12216 Four® Resting, 80 x 80, 72,5 cm - 5 Star base	15.5		Decor	5.594
				Laminate	7.025
				Fenix laminate	8.830
				Linoleum	9.545
	12217 Four® Resting, 80 x 80, 103 cm - 5 Star base	16.3		Decor	5.807
				Laminate	7.212
				Fenix laminate	9.029
				Linoleum	9.747
	12220 Four® Resting, 80 x 60, 51 cm - 4 Star base	12.3		Decor	5.214
				Laminate	6.450
				Fenix laminate	7.925
				Linoleum	8.578
	12223 Four® Resting, 80 x 60, 64 cm - 4 Star base	12.6		Decor	5.466
				Laminate	6.669
				Fenix laminate	8.146
				Linoleum	8.821
	12221 Four® Resting, 80 x 60, 72,5 cm - 4 Star base	12.8		Decor	5.466
				Laminate	6.669
				Fenix laminate	8.146
				Linoleum	8.821


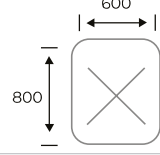
For tabletop cutout placements go to: [Oceedesign.com/Cutout.pdf](https://oceedesign.com/Cutout.pdf)

20% rabatt ska dras av på angivna priser

Four® Resting


Design by Strand+Hvass

[Content ↗](#)

Product	Description (Item nr)	Weight (Kg)	Dimensions (mm)	Top	Price (SEK)
	12222 Four® Resting, 80 x 60, 103 cm - 4 Star base	-		Decor	5.655
				Laminate	6.861
				Fenix laminate	8.357
				Linoleum	9.001

For tabletop cutout placements go to: [Oceedesign.com/Cutout.pdf](https://oceedesign.com/Cutout.pdf)

ACCESSORIES	Description	Weight (Kg)	Dimensions (mm)	Price (SEK)
	CHAIR FEET Castors			651
	CHAIR FEET Felt glides, set of 4 pcs. height + 0,2 cm	1,82 g x 4		208
	FLIP TOP With Flip Top			2.730

SURCHARGE		Price (SEK)
FRAME OPTIONAL	 B C K	1075

Y-Table

Design by Osko + Deichmann

[Content ↗](#)



FEATURES

- Height adjustable
- Fold-away allows for nesting storage
- Designed for disassembly at end of life
- Cable management hook
- Height lever doubles up as a handle for portability
- Designed to complement products across all our families
- Tested according to EN 16139, L2 and EN15372 for stability

For product information visit oceefour.com ↗

TABLE TOP

Fenix laminate



09

FRAME COLOURS

Standard



B

For full colour details [go to page 236](#) ↗

Product	Description (Item nr)	Weight (Kg)	Dimensions (mm)	Top	Price (SEK)
	ATYT63 Y-Table, 46 cm x 33 cm	4,6		Fenix laminate	4.103

20% rabatt ska dras av på angivna priser





FourPeople Stand Alone



FourPeople Stand Alone for panels



FourPeople Modules



FourPeople Modules for panels



FourPeople Stand alone panels



FourPeople Add on panels



FourPeople Work Booth



FourPeople Study Booth



FourPeople Work Hut



FourPeople Sofa Hut

FourPeople Stand Alone

Design by Nørgaard Design

[Content ↗](#)

Configuration Example 1

2 seater
Low back with armrest



1 seater
Low back



2 seater
Low back



3 seater
Low back



Pouf

FourPeople Stand Alone

Design by Nørgaard Design

[Content](#) ↗



FEATURES



- Soft seating range with low back and high back options.
- The range includes one, two, three seater sofas and Pouffe.
- Two tone fabric options available & armrest option.
- Electrical units are optional and will be positioned on the left or right side of sofas as standard.
- Leg and frame in black (RAL7021).
- Upholstery available in various fabrics. For recommendations, please contact your sales representative.

For product information visit oceefour.com ↗

For electrical accessories [go to page 228](#) ↗

For full band and colour details [go to page 338](#) ↗


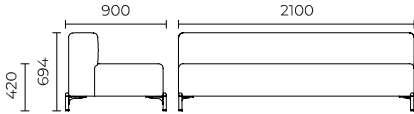

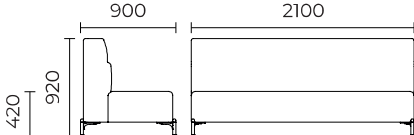

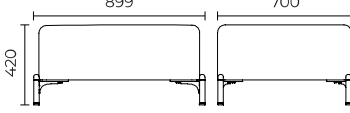
Product	Description (Item nr)	Weight (Kg)	Dimensions (mm)	Band	Same colour (SEK)	Different seat colour (SEK)
	PEF1L FourPeople Stand Alone, 1 Seater, Low back			1 2 3 4 5 6 7	12.040 12.490 12.962 13.983 14.455 14.807 16.021	2.409 2.498 2.592 2.796 2.891 2.962 3.205
	PEF1H FourPeople Stand Alone, 1 Seater, High back			1 2 3 4 5 6 7	13.861 14.407 14.990 16.264 16.847 17.284 18.788	2.409 2.498 2.592 2.796 2.891 2.962 3.474
	PEF2L FourPeople Stand Alone, 2 Seater, Low back			1 2 3 4 5 6 7	18.885 19.225 19.809 21.083 21.665 22.102 23.607	3.777 3.846 3.962 4.217 4.333 4.421 4.722
	PEF2H FourPeople Stand Alone, 2 Seater, High back			1 2 3 4 5 6 7	21.629 22.539 23.510 25.610 26.580 27.296 29.773	3.777 3.846 3.962 4.217 4.333 4.421 4.722

20% rabatt ska dras av på angivna priser

FourPeople Stand Alone

[Content ↗](#)

Design by Nørgaard Design

Product	Description (Item nr)	Weight (Kg)	Dimensions (mm)	Band	Same colour (SEK)	Different seat colour (SEK)
	PEF3L FourPeople Stand Alone, 3 Seater, Low back			1	26.957	5.392
				2	27.976	5.595
				3	29.057	5.811
				4	31.399	6.280
				5	32.479	6.496
				6	33.280	6.657
				7	36.047	7.210
	PEF3H FourPeople Stand Alone, 3 Seater, High back			1	31.242	5.392
				2	32.491	5.595
				3	33.827	5.811
				4	36.703	6.280
				5	38.025	6.496
				6	39.009	6.657
				7	42.420	7.210
	PEFPO FourPeople Stand Alone, Pouf			1	9.795	
				2	10.147	
				3	10.535	
				4	11.361	
				5	11.748	
				6	12.028	
				7	13.011	

ACCESSORIES	Description	Weight (Kg)	Dimensions (mm)	Band	Price (SEK)
	Set of armrests		800 x 486 x 134 mm	1	3.568
				2	4.170
				3	4.825
				4	6.209
				5	6.847
				6	7.318
				7	8.976
	FOURPEOPLE TRAY ACC1002	1,8 kg			478



20% rabatt ska dras av på angivna priser

FourPeople Stand Alone for Panels

[Content ↗](#)

Design by Nørgaard Design

Configuration Example 1

2 seater low back with
back panel with straps,
H1020



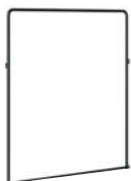
1 seater
Low back



2 seater
Low back



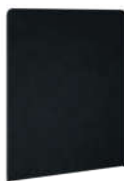
3 seater
Low back



Open Panel



Panel with straps



Panel with fabric



Panel Fabric
with Acoustic

FourPeople Stand Alone for panels

[Content](#) ↗

Design by Nørgaard Design



FEATURES


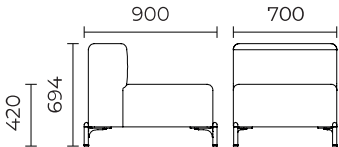

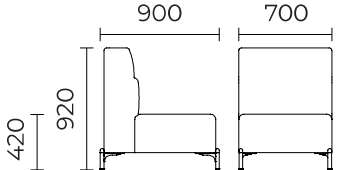


- Soft seating range with panels. The range includes one, two and three seater sofas.
- Two tone fabric options available.
- A wide selection of panels in a range of heights and widths.
- Panel Options: Open panel, Panel with straps, Fabric Panel, Fabric Panel with Acoustic Filling.
- Armrest option (cannot combine armrest and side panels on the same side).
- Electrical units are optional and will be positioned on the left or right side of sofas as standard.
- Upholstery available in various fabrics. For recommendations, please contact your sales representative.

For product information visit oceefour.com ↗

For electrical accessories [go to page 228](#) ↗

For full band and colour details [go to page 238](#) ↗

Product	Description (Item nr)	Weight (Kg)	Dimensions (mm)	Band	Same colour (SEK)	Different seat colour (SEK)
	PEEIL FourPeople Stand Alone for back panel, 1 Seater, Low back			1 2 3 4 5 6 7	12.040 12.490 12.962 13.983 14.455 14.807 16.021	2.409 2.498 2.592 2.796 2.891 2.962 3.205
	PEEIH FourPeople Stand Alone for back panel, 1 Seater, High back			1 2 3 4 5 6 7	13.861 14.407 14.990 16.264 16.847 17.284 18.788	2.409 2.498 2.592 2.796 2.891 2.962 3.474


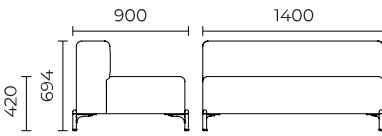

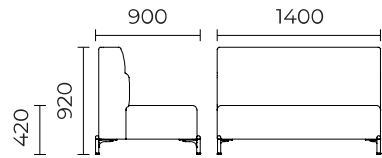
20% rabatt ska dras av på angivna priser

FourPeople Stand Alone for panels

[Content ↗](#)

Design by Nørsgaard Design

SURCHARGE	Open panel		Panel / Straps		Panel / Fabric			Acoustic		Armrest
	Back	1 x Side	Back	1 x Side	Band	Back	1 x Side	Back	1 x Side	1 x
H: 1020	3.447	4.224	4.321	5.390	1	4.006	4.928	4.905	6.129	1.784
					2	4.346	5.353	5.244	6.554	2.085
					3	4.710	5.802	5.609	7.003	2.413
					4	5.487	6.784	6.385	7.985	3.105
					5	5.851	7.233	6.750	8.435	3.424
					6	6.117	7.561	7.016	8.762	3.659
					7	7.040	8.714	7.939	9.916	4.488
H: 1370	5.692	6.579	6.590	7.780	1	6.264	7.283	7.477	8.618	1.784
					2	6.603	7.709	7.817	9.044	2.085
					3	6.955	8.157	8.169	9.492	2.413
					4	7.744	9.140	8.958	10.476	3.105
					5	8.096	9.590	9.310	10.925	3.424
					6	8.364	9.917	9.577	11.253	3.659
					7	9.285	11.070	10.499	12.406	4.488
H: 1720	5.936	6.676	6.870	7.805	1	6.750	7.624	9.080	9.954	1.784
					2	7.235	8.266	9.565	10.596	2.085
					3	7.757	8.933	10.087	11.264	2.413
					4	8.873	10.403	11.203	12.733	3.105
					5	9.395	11.070	11.725	13.400	3.424
					6	9.772	11.580	12.102	13.910	3.659
					7	11.106	13.303	13.436	15.633	4.488


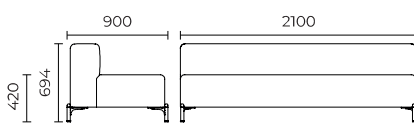

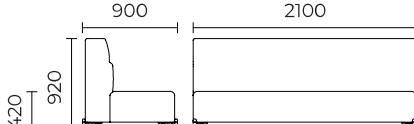
Product	Description (Item nr)	Weight (Kg)	Dimensions (mm)	Band	Same colour (SEK)	Different seat colour (SEK)
	PEE2L FourPeople Stand Alone for back panel, 2 Seater, Low back			1	18.885	3.777
				2	19.225	3.846
				3	19.809	3.962
				4	21.083	4.217
				5	21.665	4.333
				6	22.102	4.421
				7	23.607	4.722
	PEE2H FourPeople Stand Alone for back panel, 2 Seater, High back			1	21.629	3.777
				2	22.539	3.846
				3	23.510	3.962
				4	25.610	4.217
				5	26.580	4.333
				6	27.296	4.421
				7	29.773	4.722

SURCHARGE	Open panel		Panel / Straps		Panel / Fabric			Acoustic		Armrest
	Back	1 x Side	Back	1 x Side	Band	Back	1 x Side	Back	1 x Side	1 x
H: 1020	3.994	4.224	5.936	5.390	1	5.014	4.929	7.332	6.131	1.784
					2	5.633	5.354	7.951	6.555	2.085
					3	6.288	5.803	8.606	7.005	2.413
					4	7.696	6.785	10.014	7.987	3.105
					5	8.351	7.235	10.669	8.436	3.424
					6	8.837	7.562	11.155	8.764	3.659
					7	10.511	8.716	12.829	9.917	4.488
H: 1370	6.410	6.580	8.351	7.781	1	7.442	7.283	9.796	8.618	1.784
					2	8.048	7.709	10.403	9.044	2.085
					3	8.703	8.157	11.058	9.492	2.413
					4	10.111	9.140	12.466	10.476	3.105
					5	10.766	9.590	13.121	10.925	3.424
					6	11.253	9.917	13.607	11.253	3.659
					7	12.927	11.070	15.281	12.406	4.488
H: 1720	6.676	6.676	8.703	7.805	1	8.206	7.624	12.733	9.954	1.784
					2	9.116	8.266	13.643	10.596	2.085
					3	10.074	8.933	14.602	11.264	2.413
					4	12.174	10.403	16.702	12.733	3.105
					5	13.144	11.070	17.672	13.400	3.424
					6	13.861	11.580	18.388	13.910	3.659
					7	16.348	13.303	20.876	15.633	4.488

FourPeople Stand Alone for panels

[Content](#) ↗

Design by Nørgaard Design

Product	Description (Item nr)	Weight (Kg)	Dimensions (mm)	Band	Same colour (SEK)	Different seat colour (SEK)
	PEE3L FourPeople Stand Alone for back panel, 3 Seater, Low back			1	26.957	5.392
				2	27.976	5.595
				3	29.057	5.811
				4	31.399	6.280
				5	32.479	6.496
				6	33.280	6.657
				7	36.047	7.210
	PEE3H FourPeople Stand Alone for back panel, 3 Seater, High back			1	31.242	5.392
				2	32.491	5.595
				3	33.827	5.811
				4	36.703	6.280
				5	38.025	6.496
				6	39.009	6.657
				7	42.420	7.210

SURCHARGE	Open panel		Panel / Straps		Panel / Fabric			Acoustic		Armrest
	Panel height	Back	1 x Side	Back	1 x Side	Band	Back	1 x Side	Back	1 x Side
H: 1020	4.322	4.225	8.121	5.390	1	6.725	4.929	9.310	6.131	1.784
					2	7.635	5.354	10.220	6.555	2.085
					3	8.594	5.803	11.179	7.005	2.413
					4	10.694	6.785	13.279	7.987	3.105
					5	11.665	7.235	14.250	8.436	3.424
					6	12.381	7.562	14.966	8.764	3.659
					7	14.869	8.716	17.454	9.917	4.488
H: 1370	7.539	6.580	10.524	7.781	1	9.055	7.283	13.618	8.618	1.784
					2	9.966	7.709	14.529	9.044	2.085
					3	10.924	8.157	15.487	9.492	2.413
					4	13.024	9.140	17.587	10.476	3.105
					5	13.995	9.590	18.558	10.925	3.424
					6	14.711	9.917	19.274	11.253	3.659
					7	17.199	11.070	21.762	12.406	4.488
H: 1720	4.147	6.676	10.646	7.805	1	9.796	7.624	14.409	9.954	1.784
					2	11.155	8.266	15.768	10.596	2.085
					3	12.587	8.933	17.199	11.264	2.413
					4	15.706	10.403	20.318	12.733	3.105
					5	17.151	11.070	21.764	13.400	3.424
					6	18.218	11.580	22.831	13.910	3.659
					7	21.921	13.303	26.533	15.633	4.488

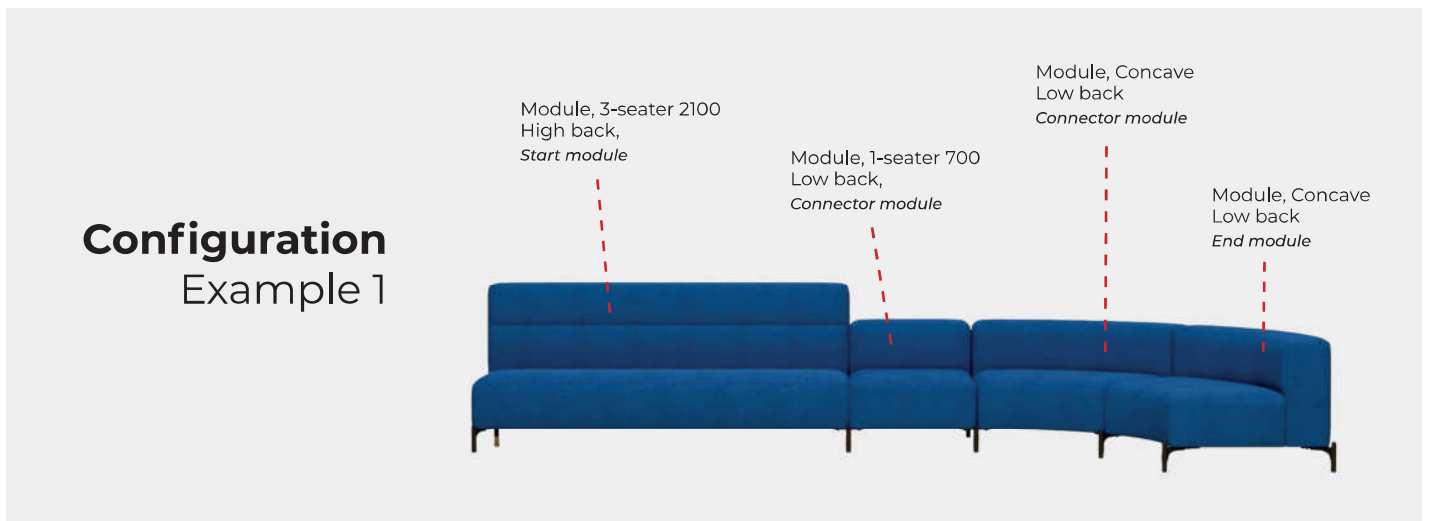
ACCESSORIES	Description	Weight (Kg)	Dimensions (mm)	Band	Price (SEK)
	FOURPEOPLE TRAY ACC1002	1,8 kg			478
	FOURPEOPLE HOOK ACC1001	0,1 kg			126

20% rabatt ska dras av på angivna priser [Content](#) / [Soft Seating](#) / [FourPeople Stand Alone for panels](#)




















FourPeople Modules

Design by Nørgaard Design

[Content ↗](#)



Modules overview

	Start	Connector	End
1 seater			
2 seater			
3 seater			
Convex			
Concave			
Pouffe			
Corner			

FourPeople Modules

Design by Nørgaard Design

[Content](#) ↗



FEATURES



- Multifunctional modular soft seating range.
- The range includes one, two & three seater modules; convex, concave & corner modules; and pouffe.
- The price is the same if it's a start, connector or an end module.
- Two tone fabric options available & armrest option.
- Electrical units are optional and will be positioned on the left or right side of sofas as standard.
- Leg and frame in black (RAL7021).
- Upholstery available in various fabrics. For recommendations, please contact your sales representative.

For product information visit oceefour.com ↗

For electrical accessories [go to page 228](#) ↗


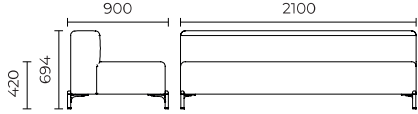

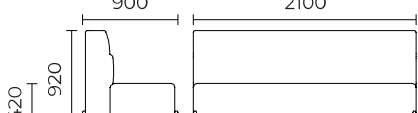

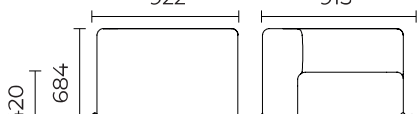

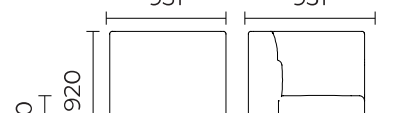

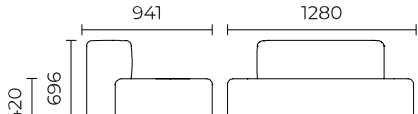



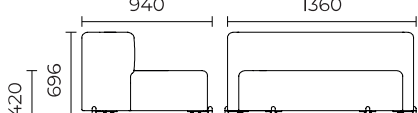

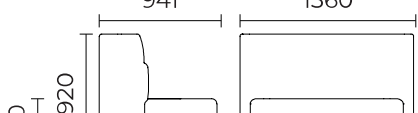

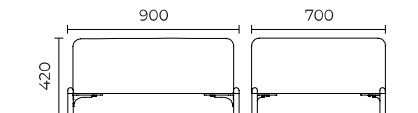
For full band and colour details [go to page 238](#) ↗

Product	Description (Item nr)	Weight (Kg)	Dimensions (mm)	Band	Same colour (SEK)	Different seat colour (SEK)
	PEC1 FourPeople Modules - Low back, 1 Seater			1 2 3 4 5 6 7	12.040 12.490 12.962 13.983 14.455 14.807 16.021	2.409 2.498 2.592 2.796 2.891 2.962 3.205
	PED1 FourPeople Modules - High back, 1 Seater			1 2 3 4 5 6 7	13.861 14.407 14.990 16.264 16.847 17.284 18.788	2.409 2.498 2.592 2.796 2.891 2.962 3.474
	PEC2 FourPeople Modules - Low back, 2 Seater			1 2 3 4 5 6 7	18.885 19.225 19.809 21.083 21.665 22.102 23.607	3.777 3.846 3.962 4.217 4.333 4.421 4.722
	PED2 FourPeople Modules - High back, 2 Seater			1 2 3 4 5 6 7	21.629 22.539 23.510 25.610 26.580 27.296 29.773	3.777 3.846 3.962 4.217 4.333 4.421 4.722

FourPeople Modules

Design by Nørgaard Design

[Content](#) ↗

Product	Description (Item nr)	Weight (Kg)	Dimensions (mm)	Band	Same colour (SEK)	Different seat colour (SEK)
	PEC3 FourPeople Modules - Low back, 3 Seater			1 2 3 4 5 6 7	26.957 27.976 29.057 31.399 32.479 33.280 36.047	5.392 5.595 5.811 6.280 6.496 6.657 7.210
	PED3 FourPeople Modules - High back, 3 Seater			1 2 3 4 5 6 7	31.242 32.491 33.827 36.703 38.025 39.009 42.420	5.392 5.595 5.811 6.280 6.496 6.657 7.210
	PECC FourPeople Modules - Low back, Corner 90°			1 2 3 4 5 6 7	18.303 19.032 19.796 21.447 22.211 22.783 24.748	3.661 3.807 3.959 4.290 4.443 4.557 4.950
	PEDC FourPeople Modules - High back, Corner 90°			1 2 3 4 5 6 7	22.394 23.365 24.396 26.642 27.673 28.450 31.109	3.661 3.807 3.959 4.290 4.443 4.557 4.950
	PECV FourPeople Modules - Low back, Convex			1 2 3 4 5 6 7	18.485 19.080 19.711 21.070 21.702 22.176 23.790	3.698 3.817 3.943 4.214 4.340 4.436 4.758
	PEDV FourPeople Modules - High back, Convex			1 2 3 4 5 6 7	21.035 21.884 22.783 24.736 25.635 26.302 28.614	3.698 3.817 3.943 4.214 4.340 4.436 4.758
	PECA FourPeople Modules - Low back, Concave			1 2 3 4 5 6 7	19.190 19.888 20.633 22.242 22.983 23.535 25.440	3.839 3.979 4.127 4.448 4.596 4.707 5.088
	PEDA FourPeople Modules - High back, Concave			1 2 3 4 5 6 7	22.795 23.668 24.591 26.587 27.510 28.195 30.562	3.839 3.979 4.127 4.448 4.596 4.707 5.088
	PECP FourPeople Modules - Low back, Pouf			1 2 3 4 5 6 7	9.795 10.147 10.535 11.361 11.748 12.028 13.011	

20% rabatt ska dras av på angivna priser

FourPeople Modules

Design by Nørgaard Design

[Content ↗](#)

ACCESSORIES	Description	Weight (Kg)	Dimensions (mm)	Band	Price (SEK)
	armrest		800 x 486 x 134 mm	1	1.784
				2	2.085
				3	2.413
				4	3.105
				5	3.424
				6	3.659
				7	4.488
	FOURPEOPLE TRAY ACC1002	1,8 kg			478

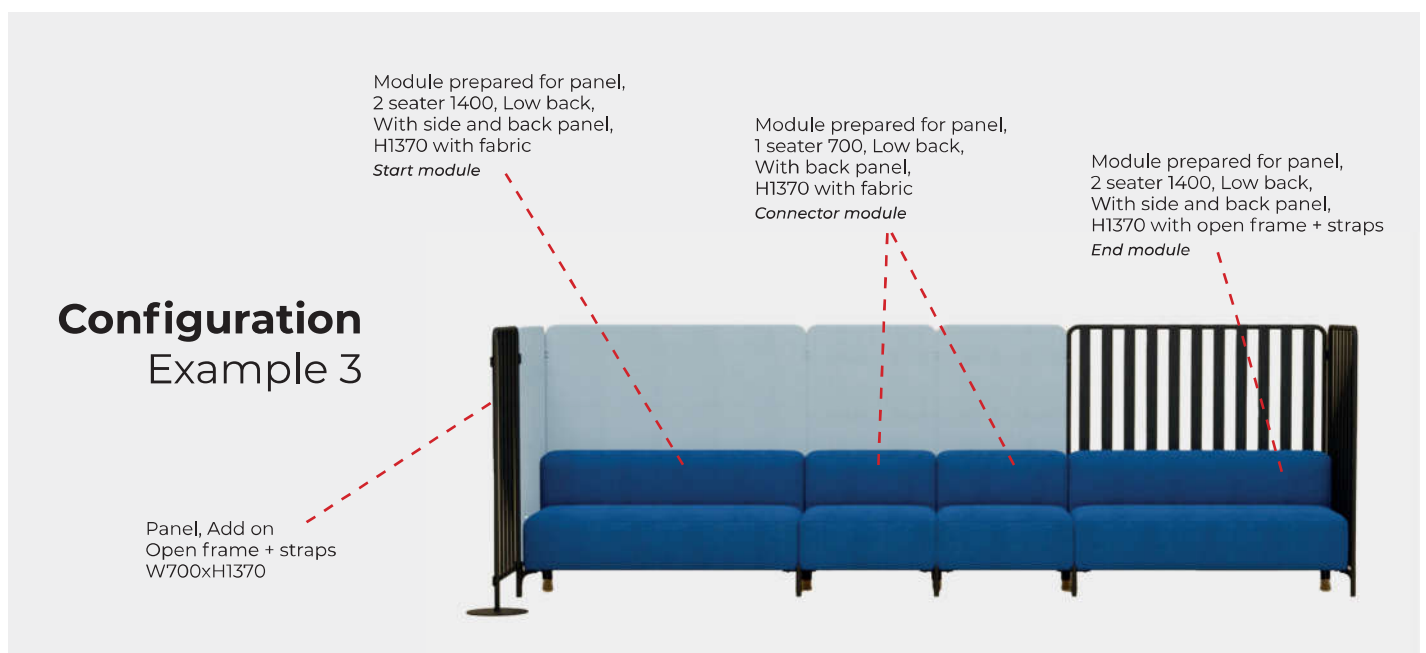


20% rabatt ska dras av på angivna priser

FourPeople Modules for Panels

Design by Nørgaard Design

[Content ↗](#)

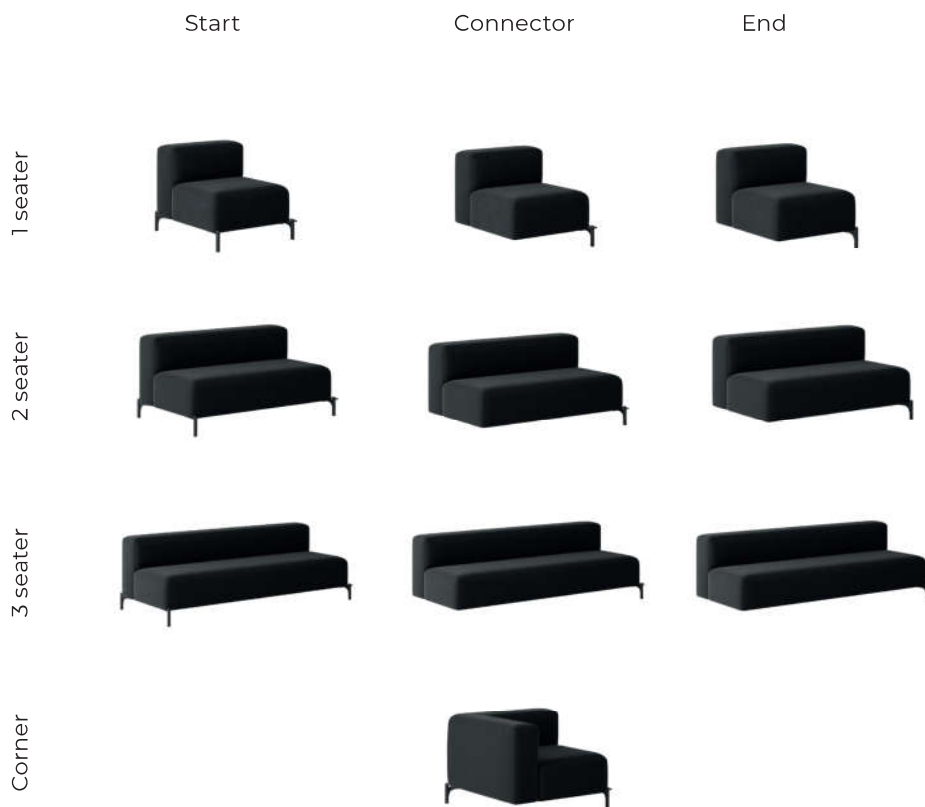


FourPeople Modules for Panels

Design by Nørgaard Design

[Content ↗](#)

Modules overview



Open Panel



Panel with straps



Panel with fabric



Panel Fabric with Acoustic

20% rabatt ska dras av på angivna priser

FourPeople Modules for panels

Design by Nørgaard Design

[Content](#) ↗



FEATURES



- Multifunctional modular soft seating range with panels. As a standard, modules with or without panels cannot be connected.
- All modules can have panels on the back and side at the same time. Modules cannot have just a side panel. (two sides available for start module).
- The price is the same if it's a start, connector or an end module.
- Panel Options: Open panel, Panel with straps, Fabric Panel, Fabric Panel with Acoustic Filling.
- Armrest option (cannot combine armrest and side panels on the same side).
- Two tone fabric options available.
- Electrical units are optional and will be positioned on the left or right side of sofas as standard.
- Leg and frame in black (RAL7021).
- Upholstery available in various fabrics. For recommendations, please contact your sales representative.

For product information visit oceefour.com ↗

For electrical accessories [go to page 228](#) ↗

For full band and colour details [go to page 238](#) ↗


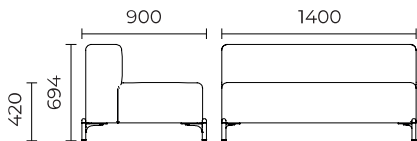

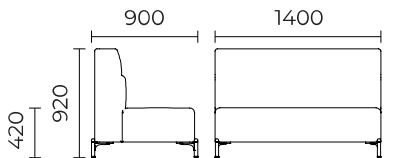
Product	Description (Item nr)	Weight (Kg)	Dimensions (mm)	Band	Same colour (SEK)	Different seat colour (SEK)
	PEA1 FourPeople Modules low back for back panel, 1 Seater			1 2 3 4 5 6 7	12.040 12.490 12.962 13.983 14.455 14.807 16.021	2.409 2.498 2.592 2.796 2.891 2.962 3.205
	PEB1 FourPeople Modules high back for back panel, 1 Seater			1 2 3 4 5 6 7	13.861 14.407 14.990 16.264 16.847 17.284 18.788	2.409 2.498 2.592 2.796 2.891 2.962 3.474

FourPeople Modules for panels

[Content](#) ↗

Design by Nørgaard Design

SURCHARGE	Open panel		Panel / Straps		Panel / Fabric			Acoustic		Armrest
	Panel height	Back	1 x Side	Back	1 x Side	Band	Back	1 x Side	Back	1 x Side
H: 1020	3.447	4.224	4.321	5.390	1	4.006	4.929	4.905	6.131	1.784
					2	4.346	5.354	5.244	6.555	2.085
					3	4.710	5.803	5.609	7.005	2.413
					4	5.487	6.785	6.385	7.987	3.105
					5	5.851	7.235	6.750	8.436	3.424
					6	6.117	7.562	7.016	8.764	3.659
					7	7.040	8.716	7.939	9.917	4.488
H: 1370	5.694	6.580	6.591	7.781	1	6.264	7.283	7.477	8.618	1.784
					2	6.603	7.709	7.817	9.044	2.085
					3	6.955	8.157	8.169	9.492	2.413
					4	7.744	9.140	8.958	10.476	3.105
					5	8.096	9.590	9.310	10.925	3.424
					6	8.364	9.917	9.577	11.253	3.659
					7	9.285	11.070	10.499	12.406	4.488
H: 1720	5.936	6.676	6.870	7.805	1	6.750	7.624	9.080	9.954	1.784
					2	7.235	8.266	9.565	10.596	2.085
					3	7.757	8.933	10.087	11.264	2.413
					4	8.873	10.403	11.203	12.733	3.105
					5	9.395	11.070	11.725	13.400	3.424
					6	9.772	11.580	12.102	13.910	3.659
					7	11.106	13.303	13.436	15.633	4.488

Product	Description (Item nr)	Weight (Kg)	Dimensions (mm)	Band	Same colour (SEK)	Different seat colour (SEK)
	PEA2 FourPeople Modules low back for back panel, 2 Seater			1	18.885	3.777
				2	19.225	3.846
				3	19.809	3.962
				4	21.083	4.217
				5	21.665	4.333
				6	22.102	4.421
				7	23.607	4.722
	PEB2 FourPeople Modules high back for back panel, 2 Seater			1	21.629	3.777
				2	22.539	3.846
				3	23.510	3.962
				4	25.610	4.217
				5	26.580	4.333
				6	27.296	4.421
				7	29.773	4.722


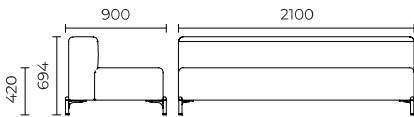


SURCHARGE	Open panel		Panel / Straps		Panel / Fabric			Acoustic		Armrest
	Panel height	Back	1 x Side	Back	1 x Side	Band	Back	1 x Side	Back	1 x Side
H: 1020	3.994	4.224	5.936	5.390	1	5.014	4.929	7.332	6.131	1.784
					2	5.633	5.354	7.951	6.555	2.085
					3	6.288	5.803	8.606	7.005	2.413
					4	7.696	6.785	10.014	7.987	3.105
					5	8.351	7.235	10.669	8.436	3.424
					6	8.837	7.562	11.155	8.764	3.659
					7	10.511	8.716	12.829	9.917	4.488
H: 1370	6.410	6.580	8.351	7.781	1	7.442	7.283	9.796	8.618	1.784
					2	8.048	7.709	10.403	9.044	2.085
					3	8.703	8.157	11.058	9.492	2.413
					4	10.111	9.140	12.466	10.476	3.105
					5	10.766	9.590	13.121	10.925	3.424
					6	11.253	9.917	13.607	11.253	3.659
					7	12.927	11.070	15.281	12.406	4.488
H: 1720	6.676	6.676	8.703	7.805	1	8.206	7.624	12.733	9.954	1.784
					2	9.116	8.266	13.643	10.596	2.085
					3	10.074	8.933	14.602	11.264	2.413
					4	12.174	10.403	16.702	12.733	3.105
					5	13.144	11.070	17.672	13.400	3.424
					6	13.861	11.580	18.388	13.910	3.659
					7	16.348	13.303	20.876	15.633	4.488

20% rabatt ska dras av på angivna priser


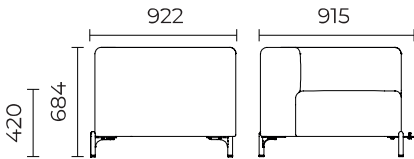

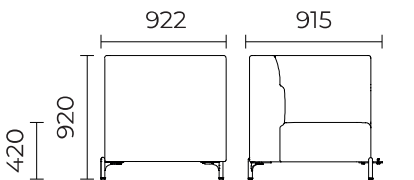
FourPeople Modules for panels

[Content ↗](#)

Design by Nørgaard Design

Product	Description (Item nr)	Weight (Kg)	Dimensions (mm)	Band	Same colour (SEK)	Different seat colour (SEK)
	PEA3 FourPeople Modules low back for back panel, 3 Seater			1	26.957	5.392
				2	27.976	5.595
				3	29.057	5.811
				4	31.399	6.280
				5	32.479	6.496
				6	33.280	6.657
				7	36.047	7.210
	PEB3 FourPeople Modules high back for back panel, 3 Seater			1	31.242	5.392
				2	32.491	5.595
				3	33.827	5.811
				4	36.703	6.280
				5	38.025	6.496
				6	39.009	6.657
				7	42.420	7.210

SURCHARGE	Open panel		Panel / Straps		Panel / Fabric			Acoustic		Armrest
	Back	1 x Side	Back	1 x Side	Band	Back	1 x Side	Back	1 x Side	1 x
Panel height										
H: 1020	4.322	4.225	8.121	5.390	1	6.725	4.929	9.310	6.131	1.784
					2	7.635	5.354	10.220	6.555	2.085
					3	8.594	5.803	11.179	7.005	2.413
					4	10.694	6.785	13.279	7.987	3.105
					5	11.665	7.235	14.250	8.436	3.424
					6	12.381	7.562	14.966	8.764	3.659
					7	14.869	8.716	17.454	9.917	4.488
H: 1370	7.539	6.580	10.524	7.781	1	9.055	7.283	13.618	8.618	1.784
					2	9.966	7.709	14.529	9.044	2.085
					3	10.924	8.157	15.487	9.492	2.413
					4	13.024	9.140	17.587	10.476	3.105
					5	13.995	9.590	18.558	10.925	3.424
					6	14.711	9.917	19.274	11.253	3.659
					7	17.199	11.070	21.762	12.406	4.488
H: 1720	4.147	6.676	10.646	7.805	1	9.796	7.624	14.409	9.954	1.784
					2	11.155	8.266	15.768	10.596	2.085
					3	12.587	8.933	17.199	11.264	2.413
					4	15.706	10.403	20.318	12.733	3.105
					5	17.151	11.070	21.764	13.400	3.424
					6	18.218	11.580	22.831	13.910	3.659
					7	21.921	13.303	26.533	15.633	4.488

Product	Description (Item nr)	Weight (Kg)	Dimensions (mm)	Band	Same colour (SEK)	Different seat colour (SEK)
	PEAC FourPeople Modules low back for back panel, Corner 90°			1	18.303	3.661
				2	19.032	3.807
				3	19.796	3.959
				4	21.447	4.290
				5	22.211	4.443
				6	22.783	4.557
				7	24.748	4.950
	PEBC FourPeople Modules high back for back panel, Corner 90°			1	22.394	3.661
				2	23.365	3.807
				3	24.396	3.959
				4	26.642	4.290
				5	27.673	4.443
				6	28.450	4.557
				7	31.109	4.950

FourPeople Modules for panels

[Content](#) ↗

Design by Nørgaard Design

SURCHARGE	Open panel		Panel / Straps		Panel / Fabric			Acoustic		Armrest
	Panel height	Back	1 x Side	Back	1 x Side	Band	Back	1 x Side	Back	1 x Side
H: 1020	4.224	4.224	5.390	5.390	1	4.929	4.929	6.131	6.131	1.784
					2	5.354	5.354	6.555	6.555	2.085
					3	5.803	5.803	7.005	7.005	2.413
					4	6.785	6.785	7.987	7.987	3.105
					5	7.235	7.235	8.436	8.436	3.424
					6	7.562	7.562	8.764	8.764	3.659
					7	8.716	8.716	9.917	9.917	4.488
H: 1370	6.580	6.580	7.781	7.781	1	7.283	7.283	8.618	8.618	1.784
					2	7.709	7.709	9.044	9.044	2.085
					3	8.157	8.157	9.492	9.492	2.413
					4	9.140	9.140	10.476	10.476	3.105
					5	9.590	9.590	10.925	10.925	3.424
					6	9.917	9.917	11.253	11.253	3.659
					7	11.070	11.070	12.406	12.406	4.488
H: 1720	6.676	6.676	7.805	7.805	1	7.624	7.624	9.954	9.954	1.784
					2	8.266	8.266	10.596	10.596	2.085
					3	8.933	8.933	11.264	11.264	2.413
					4	10.403	10.403	12.733	12.733	3.105
					5	11.070	11.070	13.400	13.400	3.424
					6	11.580	11.580	13.910	13.910	3.659
					7	13.303	13.303	15.633	15.633	4.488

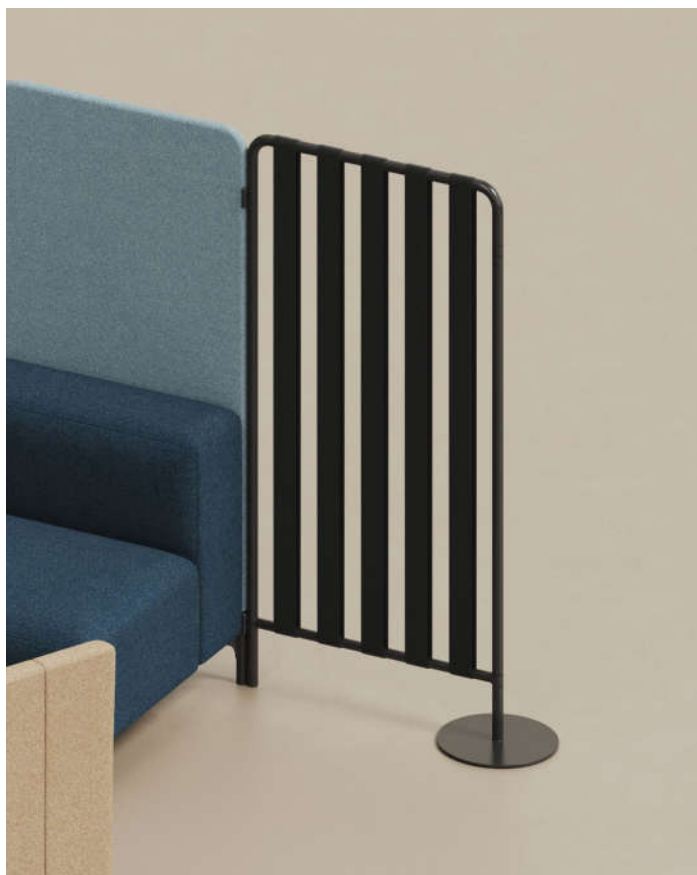
ACCESSORIES	Description	Weight (Kg)	Dimensions (mm)	Band	Price (SEK)
	FOURPEOPLE TRAY ACC1002	1,8 kg			478
	FOURPEOPLE HOOK ACC1001	0,1 kg			126

20% rabatt ska dras av på angivna priser

FourPeople Add on panels

Design by Nørgaard Design

[Content](#) ↗




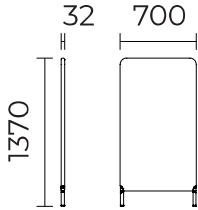

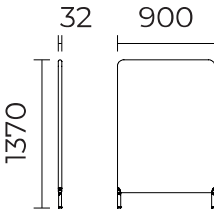

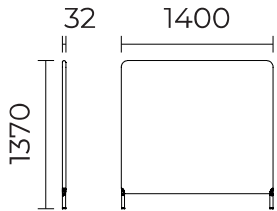

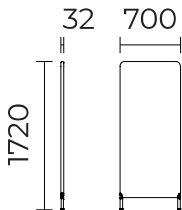
FEATURES



- Panel Options: Open panel, Panel with straps, Fabric Panel, Fabric Panel with Acoustic Filling
- Can be combined with modules or modules with panels
- Offer acoustic and visual privacy
- Leg and frame in black (RAL7021)
- Diameter of foot 30 cm
- Upholstery available in various fabrics. For recommendations, please contact your sales representative

For product information visit oceefour.com ↗


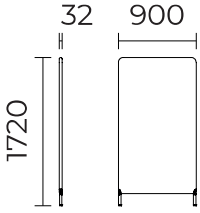

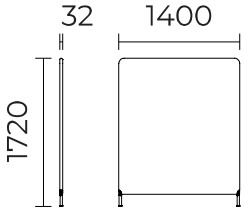

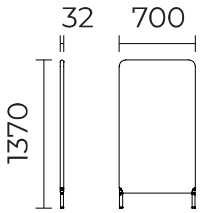

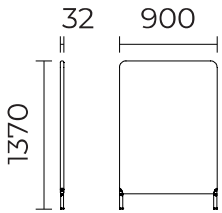

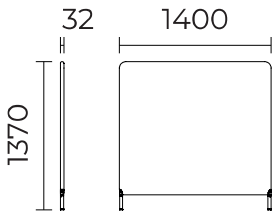

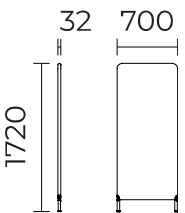

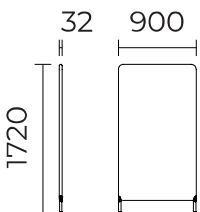

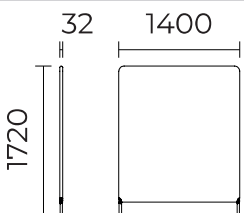
For full band and colour details [go to page 238](#) ↗

Product	Description (Item nr)	Weight (Kg)	Dimensions (mm)	Band	Standard (SEK)
	PEG2131 FourPeople Panel, Add on, W: 700, H: 1370, Frame	-		-	8.121
	PEG2231 FourPeople Panel, Add on, W: 900, H: 1370, Frame	-		-	8.327
	PEG2331 FourPeople Panel, Add on, W: 1400, H: 1370, Frame	-		-	8.837
	PEG2141 FourPeople Panel, Add on, W: 700, H: 1720, Frame	-		-	8.364

FourPeople Add on panels

[Content](#) ↗

Design by Nørgaard Design


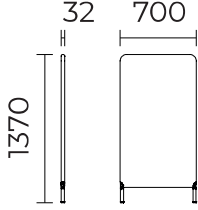

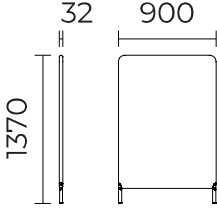

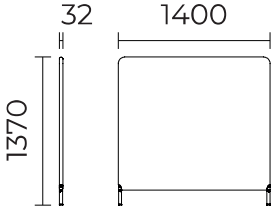

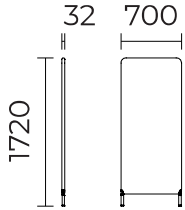

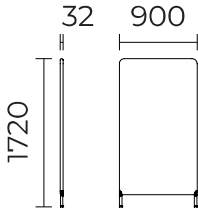

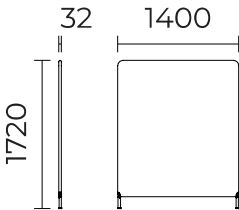

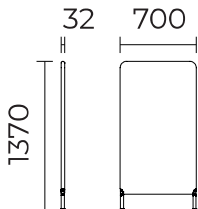

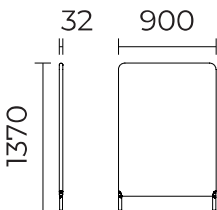
Product	Description (Item nr)	Weight (Kg)	Dimensions (mm)	Band	Standard (SEK)
	PEG2241 FourPeople Panel, Add on, W: 900, H: 1720, Frame	-		-	8.424
	PEG2341 FourPeople Panel, Add on, W: 1400, H: 1720, Frame	-		-	9.116
	PEG2132 FourPeople Panel, Add on, W: 700, H: 1370, Straps	-		-	9.068
	PEG2232 FourPeople Panel, Add on, W: 900, H: 1370, Straps	-		-	9.529
	PEG2332 FourPeople Panel, Add on, W: 1400, H: 1370, Straps	-		-	10.791
	PEG2142 FourPeople Panel, Add on, W: 700, H: 1720, Straps	-		-	9.298
	PEG2242 FourPeople Panel, Add on, W: 900, H: 1720, Straps	-		-	9.674
	PEG2342 FourPeople Panel, Add on, W: 1400, H: 1720, Straps	-		-	11.131

20% rabatt ska dras av på angivna priser

FourPeople Add on panels

[Content ↗](#)

Design by Nørgaard Design


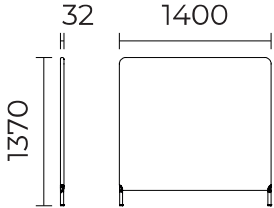

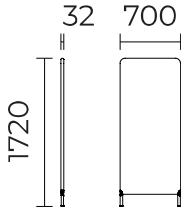

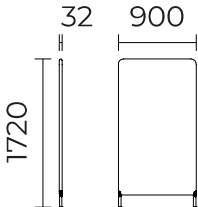

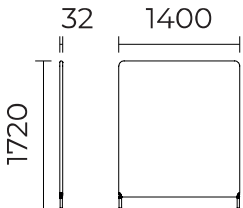
Product	Description (Item nr)	Weight (Kg)	Dimensions (mm)	Band	Standard (SEK)
	PEG2133 FourPeople Panel, Add on, W: 700, H: 1370, Fabric	-		1 2 3 4 5 6 7	8.654 8.969 9.309 10.039 10.379 10.633 11.495
	PEG2233 FourPeople Panel, Add on, W: 900, H: 1370, Fabric	-		1 2 3 4 5 6 7	9.007 9.407 9.832 10.754 11.191 11.507 12.599
	PEG2333 FourPeople Panel, Add on, W: 1400, H: 1370, Fabric	-		1 2 3 4 5 6 7	9.869 10.476 11.131 12.551 13.194 13.680 15.354
	PEG2143 FourPeople Panel, Add on, W: 700, H: 1720, Fabric	-		1 2 3 4 5 6 7	9.140 9.614 10.099 11.180 11.677 12.042 13.316
	PEG2243 FourPeople Panel, Add on, W: 900, H: 1720, Fabric	-		1 2 3 4 5 6 7	9.420 10.014 10.646 12.005 12.636 13.109 14.724
	PEG2343 FourPeople Panel, Add on, W: 1400, H: 1720, Fabric	-		1 2 3 4 5 6 7	10.633 11.543 12.514 14.614 15.573 16.290 18.777
	PEG2134 FourPeople Panel, Add on, W: 700, H: 1370, Fabric with acoustic	-		1 2 3 4 5 6 7	9.868 10.183 10.522 11.253 11.592 11.847 12.709
	PEG2234 FourPeople Panel, Add on, W: 900, H: 1370, Fabric with acoustic	-		1 2 3 4 5 6 7	10.343 10.743 11.168 12.090 12.527 12.843 13.935


20% rabatt ska dras av på angivna priser

FourPeople Add on panels

[Content ↗](#)

Design by Nørgaard Design

Product	Description (Item nr)	Weight (Kg)	Dimensions (mm)	Band	Standard (SEK)
	PEG2334 FourPeople Panel, Add on, W: 1400, H: 1370, Fabric with acoustic	-		1 2 3 4 5 6 7	12.224 12.831 13.485 14.906 15.548 16.035 17.709
	PEG2144 FourPeople Panel, Add on, W: 700, H: 1720, Fabric with acoustic	-		1 2 3 4 5 6 7	10.743 11.217 11.702 12.783 13.280 13.644 14.918
	PEG2244 FourPeople Panel, Add on, W: 900, H: 1720, Fabric with acoustic	-		1 2 3 4 5 6 7	11.750 12.344 12.976 14.335 14.966 15.439 17.054
	PEG2344 FourPeople Panel, Add on, W: 1400, H: 1720, Fabric with acoustic	-		1 2 3 4 5 6 7	15.161 16.070 17.042 19.142 20.100 20.817 23.305

ACCESSORIES	Description	Weight (Kg)	Dimensions (mm)	Band	Price (SEK)
	FOURPEOPLE HOOK ACC1001	0,1 kg			126

20% rabatt ska dras av på angivna priser

FourPeople Work Booth

Design by Nørgaard Design

[Content ↗](#)



FEATURES


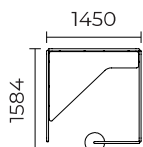

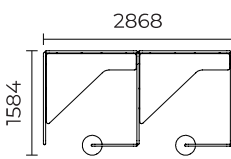

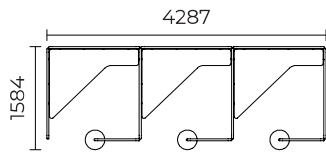

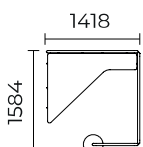


- Work Booth in various configurations.
- Closed concentrated work area with acoustic and visual privacy.
- Two heights 1370 cm or 1720 cm.
- Including table top in two heights: Standing 105 cm or sitting 74 cm.
- Black Nano laminate 21 mm table top with impact resistant ABS edges. Leg in black (RAL7021).
- Electrical units are optional and will be positioned in the centre of tables as standard.
- Upholstery available in various fabrics. For recommendations, please contact your sales representative

For product information visit oceefour.com ↗

For electrical accessories [go to page 228](#) ↗


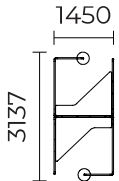

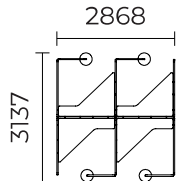

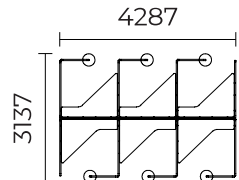

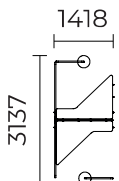
For full band and colour details [go to page 238](#) ↗


Product	Description (Item nr)	Weight (Kg)	Dimensions (mm)	Band	Price (SEK)
	PEJ13 FourPeople Single Work Booth, 1 Booth, H: 1370	119.1		<ul style="list-style-type: none"> 1 49.021 2 51.206 3 53.511 4 58.536 5 60.855 6 62.579 7 68.525 	
	PEJ23 FourPeople Single Work Booth, 2 Booth, H: 1370	205.4		<ul style="list-style-type: none"> 1 87.898 2 91.647 3 95.628 4 104.270 5 108.251 6 111.200 7 121.432 	
	PEJ33 FourPeople Single Work Booth, 3 Booth, H: 1370	291.7		<ul style="list-style-type: none"> 1 126.906 2 132.221 3 137.865 4 150.111 5 155.755 6 159.943 7 174.446 	
	PEJX3 FourPeople Single Work Booth, Extension, H: 1370	86.3		<ul style="list-style-type: none"> 1 39.761 2 41.328 3 42.991 4 46.607 5 48.270 6 49.507 7 53.780 	

FourPeople Work Booth

[Content ↗](#)

Design by Nørgaard Design

Product	Description (Item nr)	Weight (Kg)	Dimensions (mm)	Band	Price (SEK)
	PEK14 FourPeople Double Work Booth, 1 Booth, H: 1720	-		<ul style="list-style-type: none"> 1 92.935 2 98.469 3 104.331 4 117.062 5 122.936 6 127.294 7 142.380 	
	PEK24 FourPeople Double Work Booth, 2 Booth, H: 1720	-		<ul style="list-style-type: none"> 1 164.713 2 173.961 3 183.755 4 205.031 5 214.837 6 222.107 7 247.317 	
	PEK34 FourPeople Double Work Booth, 3 Booth, H: 1720	-		<ul style="list-style-type: none"> 1 236.831 2 249.780 3 263.520 4 293.340 5 307.066 6 317.274 7 352.580 	
	PEKX4 FourPeople Double Work Booth, Extension, H: 1720	-		<ul style="list-style-type: none"> 1 73.114 2 76.816 3 80.748 4 89.294 5 93.225 6 96.150 7 106.261 	

ACCESSORIES	Description	Weight (Kg)	Dimensions (mm)	Band	Price (SEK)
	FOURPEOPLE HOOK ACC1001	0,1 kg			126

FourPeople Study Booth

Design by Nørgaard Design

[Content](#) ↗



FEATURES

- Study Booth in various configurations.
- Private touch down area with acoustic and visual privacy.
- Two heights 1370 or 1720 cm.
- Including table top in two heights: Standing 105 cm or sitting 74 cm.
- Black Nano laminate 21 mm table top with impact resistant ABS edges. Leg in standard black (RAL7021).
- Electrical units are optional and will be positioned in the centre of tables as standard.
- Upholstery available in various fabrics. For recommendations, please contact your sales representative.



For product information visit oceefour.com ↗

For electrical accessories [go to page 228](#) ↗

For full band and colour details [go to page 238](#) ↗


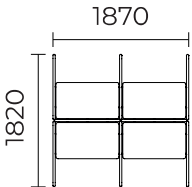


Product	Description (Item nr)	Weight (Kg)	Dimensions (mm)	Band	Price (SEK)
	PEH13 FourPeople Single Study Booth, 1 Booth, H: 1370	71.6		<ul style="list-style-type: none"> 1 30.270 2 31.546 3 32.892 4 35.817 5 37.165 6 38.172 7 41.631 	
	PEH23 FourPeople Single Study Booth, 2 Booth, H: 1370	123.8		<ul style="list-style-type: none"> 1 47.227 2 53.198 3 55.443 4 60.322 5 62.580 6 64.242 7 70.020 	
	PEH33 FourPeople Single Study Booth, 3 Booth, H: 1370	174.5		<ul style="list-style-type: none"> 1 70.906 2 73.866 3 77.022 4 83.855 5 86.999 6 89.329 7 97.425 	
	PEHX3 FourPeople Single Study Booth, Extension, H: 1370	50.7		<ul style="list-style-type: none"> 1 21.581 2 22.431 3 23.328 4 25.270 5 26.181 6 26.848 7 29.154 	

20% rabatt ska dras av på angivna priser

FourPeople Study Booth

[Content ↗](#)


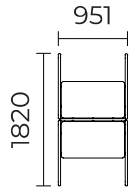

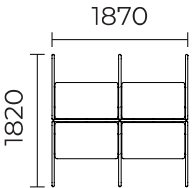

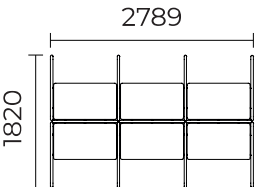

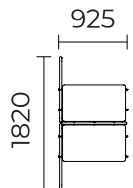
Design by Nørgaard Design


Product	Description (Item nr)	Weight (Kg)	Dimensions (mm)	Band	Price (SEK)
	PEI13 FourPeople Double Study Booth, 1 Booth, H: 1370	121.9		1 2 3 4 5 6 7	49.969 52.094 54.339 59.217 61.464 63.137 68.916
	PEI23 FourPeople Double Study Booth, 2 Booth, H: 1370	202.8		1 2 3 4 5 6 7	81.792 83.917 86.162 91.040 93.285 94.961 100.737
	PEI33 FourPeople Double Study Booth, 3 Booth, H: 1370	-		1 2 3 4 5 6 7	117.839 122.499 127.451 138.181 143.132 146.798 159.517
	PEIX3 FourPeople Double Study Booth, Extension, H: 1370	79		1 2 3 4 5 6 7	34.591 35.866 37.213 40.139 41.485 42.492 45.964
	PEH14 FourPeople Single Study Booth, 1 Booth, H: 1720	-		1 2 3 4 5 6 7	31.618 33.536 35.550 39.944 41.970 43.476 48.670
	PEH24 FourPeople Single Study Booth, 2 Booth, H: 1720	-		1 2 3 4 5 6 7	54.751 58.780 63.053 72.325 76.598 79.765 90.750
	PEH34 FourPeople Single Study Booth, 3 Booth, H: 1720	-		1 2 3 4 5 6 7	76.136 81.647 87.484 100.180 106.018 110.362 125.388
	PEHX4 FourPeople Single Study Booth, Extension, H: 1720	-		1 2 3 4 5 6 7	23.899 26.010 28.257 33.147 35.392 37.055 42.844

FourPeople Study Booth

[Content](#) ↗

Design by Nørgaard Design

Product	Description (Item nr)	Weight (Kg)	Dimensions (mm)	Band	Price (SEK)
	PEI14 FourPeople Double Study Booth, 1 Booth, H: 1720	-		<ul style="list-style-type: none"> 1 2 3 4 5 6 7 	<ul style="list-style-type: none"> 52.227 55.406 58.780 66.099 69.473 71.973 80.651
	PEI24 FourPeople Double Study Booth, 2 Booth, H: 1720	-		<ul style="list-style-type: none"> 1 2 3 4 5 6 7 	<ul style="list-style-type: none"> 86.744 91.829 97.218 108.931 114.332 118.336 132.209
	PEI34 FourPeople Double Study Booth, 3 Booth, H: 1720	-		<ul style="list-style-type: none"> 1 2 3 4 5 6 7 	<ul style="list-style-type: none"> 121.722 128.727 136.142 152.247 159.664 165.173 184.240
	PEIX4 FourPeople Double Study Booth, Extension, H: 1720	-		<ul style="list-style-type: none"> 1 2 3 4 5 6 7 	<ul style="list-style-type: none"> 35.951 37.857 39.883 44.277 46.292 47.796 53.003

ACCESSORIES	Description	Weight (Kg)	Dimensions (mm)	Band	Price (SEK)
	FOURPEOPLE HOOK ACC1001	0,1 kg			126

20% rabatt ska dras av på angivna priser

FourPeople Work Hut

Design by Nørgaard Design

[Content ↗](#)



FEATURES



- Private touch down area with acoustic and visual privacy.
- Including table top in two heights: Standing 105 cm or sitting 74 cm, right or left side.
- Black Nano laminate 21 mm table top with impact resistant ABS edges. Leg in black (RAL7021).
- Electrical units are optional and will be positioned in the centre of tables as standard.
- Upholstery available in various fabrics. For recommendations, please contact your sales representative.

For product information visit oceefour.com ↗

For electrical accessories [go to page 228](#) ↗

For full band and colour details [go to page 238](#) ↗

Product	Description (Item nr)	Weight (Kg)	Dimensions (mm)	Band	Price (SEK)
	PEM3L FourPeople Work Hut, Fabric, Left	-		1	42.432
				2	45.891
				3	49.555
				4	57.506
				5	61.170
				6	63.890
				7	73.307
	PEM3R FourPeople Work Hut, Fabric, Right	-		1	42.432
				2	45.891
				3	49.555
				4	57.506
				5	61.170
				6	63.890
				7	73.307

ACCESSORIES	Description	Weight (Kg)	Dimensions (mm)	Band	Price (SEK)
	FOURPEOPLE HOOK ACC1001	0,1 kg			126

FourPeople Sofa Hut

Design by Nørgaard Design

[Content ↗](#)



FEATURES

- Provide a relaxed and sociable space with acoustic and visual privacy.
- Comes in low or high back with straps or fabric.
- Two tone fabric options available.
- Electrical units are optional and will be positioned on the left or right side of sofas as standard.
- Leg in black (RAL7021).
- Upholstery available in various fabrics. For recommendations, please contact your sales representative.



For product information visit oceefour.com ↗

For electrical accessories [go to page 228](#) ↗

For full band and colour details [go to page 238](#) ↗

Product	Description (Item nr)	Weight (Kg)	Dimensions (mm)	Band	Price (SEK)
	PEL2H FourPeople Sofa Hut, Straps, High back	70		<ul style="list-style-type: none"> 1 49.969 2 50.879 3 51.850 4 53.950 5 54.921 6 55.636 7 58.125 	
	PEL2L FourPeople Sofa Hut, Straps, Low back	41.6		<ul style="list-style-type: none"> 1 47.190 2 47.869 3 48.585 4 50.151 5 50.866 6 51.400 7 53.246 	
	PEL3H FourPeople Sofa Hut, Fabric, High back	-		<ul style="list-style-type: none"> 1 48.257 2 52.420 3 56.827 4 66.390 5 70.795 6 74.061 7 85.396 	
	PEL3L FourPeople Sofa Hut, Fabric, Low back	-		<ul style="list-style-type: none"> 1 45.477 2 49.398 3 53.548 4 62.579 5 66.742 6 69.825 7 80.517 	

20% rabatt ska dras av på angivna priser



20% rabatt ska dras av på angivna priser



FourLikes®



FourLikes® Meet



FourLikes® Scooter |
Wheels



FourLikes® Scooter



FourLikes® Wall bench




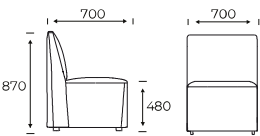

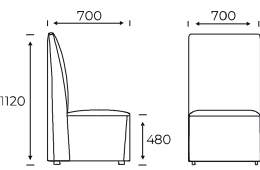

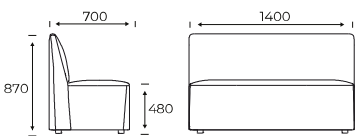

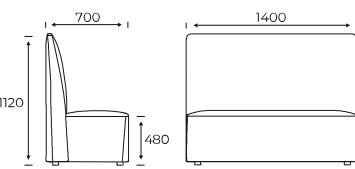
FEATURES


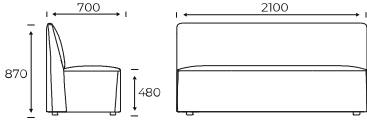

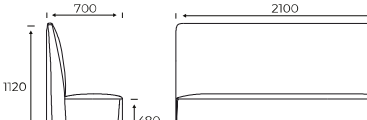

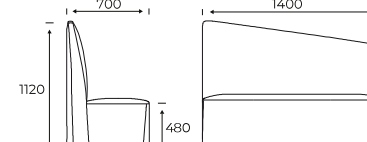

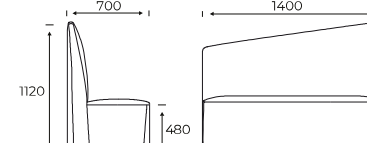

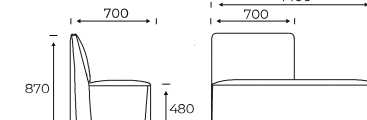

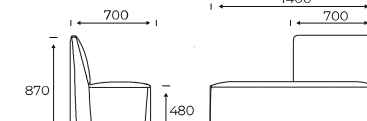

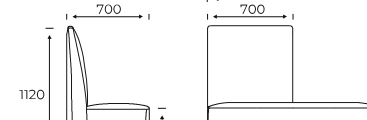


- Modular and flexible system. Modules in different lengths.
- Low and high back modules. Uni- or Multicoloured.
- Active seat height 48 cm (fits table height 74 cm).
- Frame delivered as standard in black.
- Electrical units are optional and will be positioned on the left or right side of sofas as standard.


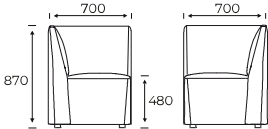

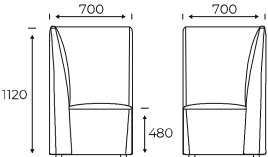

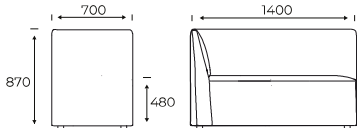

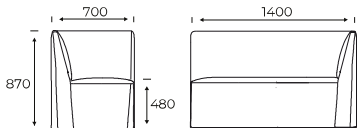

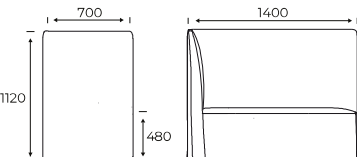

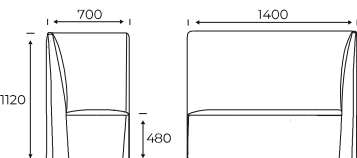

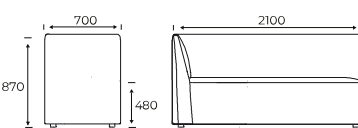

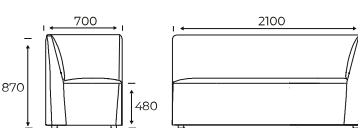
For product information visit oceefour.com ↗


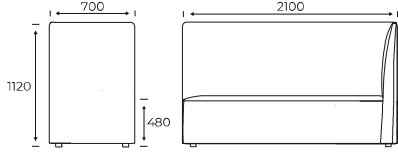

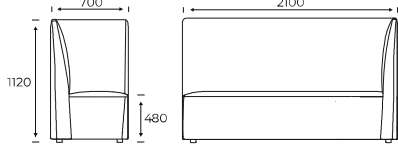

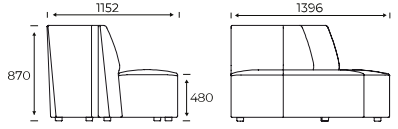

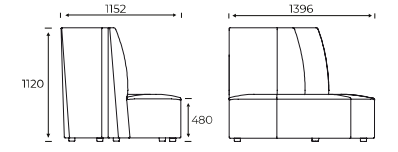

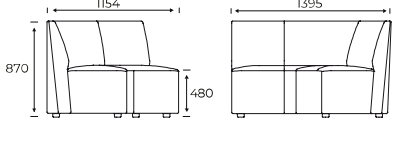

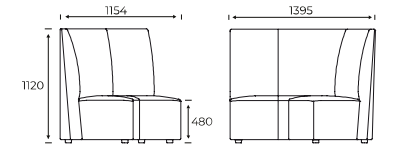
For electrical accessories [go to page 228](#) ↗

For full band and colour details [go to page 238](#) ↗

Product	Description (Item nr)	Weight (Kg)	Dimensions (mm)	Band	Same colour (SEK)	Different seat colour (SEK)
	700000 FourLikes®, Low back, 700	20,5 Kg		1 2 3 4 5	9.859 11.146 12.437 13.724 15.014	2.152 2.656 3.379 3.964 4.610 6.770
	700010 FourLikes®, High back, 700	21,5 Kg		1 2 3 4 5	11.079 12.653 14.228 15.804 17.381	2.152 2.656 3.379 3.964 4.610 6.770
	700001 FourLikes®, Low back, 1400	41,3 Kg		1 2 3 4 5	13.144 14.864 16.581 18.298 20.018	2.982 3.681 4.685 5.494 6.393 9.388
	700011 FourLikes®, High back, 1400	42,5 Kg		1 2 3 4 5	14.772 16.873 18.973 21.072 23.173	2.982 3.681 4.685 5.494 6.393 9.388

Product	Description (Item nr)	Weight (Kg)	Dimensions (mm)	Band	Same colour (SEK)	Different seat colour (SEK)
	700002 FourLikes®, Low back, 2100	-		1 2 3 4 5	21.031 23.781 26.531 29.282 32.031	4.589 5.665 7.210 8.452 9.840 14.445
	700012 FourLikes®, High back, 2100	-		1 2 3 4 5	23.635 26.994 30.355 33.716 37.077	4.589 5.665 7.210 8.452 9.840 14.445
	700021 FourLikes®, Slope, High Back Right, 1400	-		1 2 3 4 5	15.777 17.878 19.978 22.077 24.179	2.982 3.681 4.685 5.494 6.393 9.388
	700031 FourLikes®, Slope, High Back Left, 1400	-		1 2 3 4 5	15.777 17.878 19.978 22.077 24.179	2.982 3.681 4.685 5.494 6.393 9.388
	700041 FourLikes®, Open End Left, Low Back Right, 1400	45,5 Kg		1 2 3 4 5	14.808 16.069 17.328 18.588 19.850	2.982 3.681 4.685 5.494 6.393 9.388
	700051 FourLikes®, Open End Right, Low Back Left, 1400	45,6 Kg		1 2 3 4 5	14.808 16.069 17.328 18.588 19.850	2.982 3.681 4.685 5.494 6.393 9.388
	700061 FourLikes®, Open End Left, High Back Right, 1400	46,8 Kg		1 2 3 4 5	16.844 18.592 20.337 22.084 23.831	2.982 3.681 4.685 5.494 6.393 9.388
	700071 FourLikes®, Open End Right, High Back Left, 1400	46,8 Kg		1 2 3 4 5	16.844 18.592 20.337 22.084 23.831	2.982 3.681 4.685 5.494 6.393 9.388

Product	Description (Item nr)	Weight (Kg)	Dimensions (mm)	Band	Same colour (SEK)	Different seat colour (SEK)
	700100 FourLikes®, Corner, Low back, 700	20,8 Kg		1 2 3 4 5	12.979 14.343 15.706 17.072 18.436	2.152 2.656 3.379 3.964 4.610 6.770
	700110 FourLikes®, Corner, High back, 700	27,3 Kg		1 2 3 4 5	14.868 17.073 19.281 21.487 23.694	2.152 2.656 3.379 3.964 4.610 6.770
	700191 FourLikes®, Corner, Low Back Right, 1400	45,3 Kg		1 2 3 4 5	15.269 16.873 18.477 20.082 21.685	2.982 3.681 4.685 5.494 6.393 9.388
	700181 FourLikes®, Corner, Low Back Left, 1400	45,3 Kg		1 2 3 4 5	15.269 16.873 18.477 20.082 21.685	2.982 3.681 4.685 5.494 6.393 9.388
	7001B1 FourLikes®, Corner, High Back Right, 1400	50,4 Kg		1 2 3 4 5	18.191 20.893 23.592 26.292 28.995	2.982 3.681 4.685 5.494 6.393 9.388
	7001A1 FourLikes®, Corner, High Back Left, 1400	50,4 Kg		1 2 3 4 5	18.191 20.893 23.592 26.292 28.995	2.982 3.681 4.685 5.494 6.393 9.388
	700192 FourLikes®, Corner, Low Back Right, 2100	66,9 Kg		1 2 3 4 5	24.430 26.999 29.564 32.130 34.697	4.589 5.665 7.210 8.452 9.840 14.445
	700182 FourLikes®, Corner, Low Back Left, 2100	66,9 Kg		1 2 3 4 5	24.430 26.999 29.564 32.130 34.697	4.589 5.665 7.210 8.452 9.840 14.445

Product	Description (Item nr)	Weight (Kg)	Dimensions (mm)	Band	Same colour (SEK)	Different seat colour (SEK)
	7001B2 FourLikes®, Corner, High Back Right, 2100	77,8 Kg		1 2 3 4 5	27.986 32.142 36.297 40.452 44.606	4.589 5.665 7.210 8.452 9.840 14.445
	7001A2 FourLikes®, Corner, High Back Left, 2100	77,8 Kg		1 2 3 4 5	27.986 32.142 36.297 40.452 44.606	4.589 5.665 7.210 8.452 9.840 14.445
	7000E7 FourLikes®, Convex 120 Low back, 1350			1 2 3 4 5	21.632 22.898 25.605 26.864 29.387	4.721 5.453 6.956 7.756 9.031 13.242
	7000F7 FourLikes®, Convex 120 High back, 1350	35 kg		1 2 3 4 5	23.078 24.402 27.404 28.846 31.669	4.721 5.453 6.956 7.756 9.031 13.242
	7000C1 FourLikes®, Concave 120 Low back, 1400	35,5 Kg		1 2 3 4 5	23.017 24.402 27.342 28.662 31.372	5.023 5.810 7.427 8.275 9.642 14.136
	7000D1 FourLikes®, Concave 120 High back, 1400	38,5 Kg		1 2 3 4 5	25.840 27.342 30.592 32.095 35.098	5.023 5.810 7.427 8.275 9.642 14.136

FourLikes® Meet

Design by Nørgaard Design

[Content ↗](#)



FEATURES

- Modular and flexible system. Uni- or Multicoloured.
- Acoustic and visual privacy.
- Active seat height 48 cm (fits table height 74 cm).
- Table top: 70x70cm or 120x70 cm
- Table top in black, warm grey or anthracite Nano laminate
- Electrical units are optional and will be positioned in the centre of tables as standard.



For product information visit oceefour.com ↗

TABLE TOP

Fenix laminate



07 08 09

FRAME COLOURS

Standard



B E K

For electrical accessories [go to page 228](#) ↗


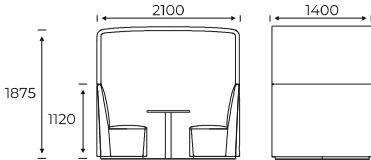

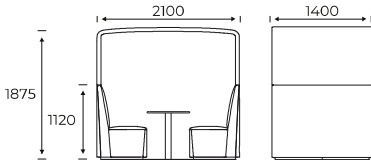
For full band and colour details [go to page 238](#) ↗

Product	Description (Item nr)	Weight (Kg)	Dimensions (mm)	Band	Same colour (SEK)	Different colour (SEK)
	70120 FourLikes® Meet, 700	152 Kg		1 2 3 4 5	44.124 49.738 55.351 60.965 66.580	
	70120-S FourLikes® Meet, 700			1 2 3 4 5 8		4.474 5.753 7.032 8.313 9.592 13.429
	70120-T FourLikes® Meet, 700			1 2 3 4 5 8		6.304 7.098 7.889 8.681 9.472 11.850
	70121 FourLikes® Meet, 1400	183 Kg		1 2 3 4 5	58.829 66.314 73.798 81.283 88.768	

FourLikes® Meet

Design by Nørgaard Design

[Content ↗](#)

Product	Description (Item nr)	Weight (Kg)	Dimensions (mm)	Band	Same colour (SEK)	Different colour (SEK)
	70121-S FourLikes® Meet, 1400			1 2 3 4 5 8		5.966 7.366 9.376 10.988 12.791 18.777
	70121-T FourLikes® Meet, 1400			1 2 3 4 5 8		8.404 9.475 10.544 11.612 12.682 18.027

ACCESSORIES	Description	Weight (Kg)	Dimensions (mm)	Price (SEK)
	With Linking			263

20% rabatt ska dras av på angivna priser

FourLikes® Scooter | Wheels

Design by Nørgaard Design

[Content ↗](#)




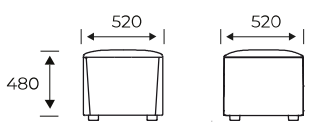

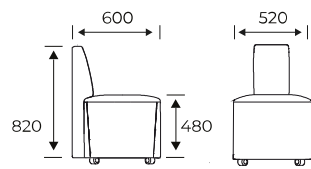

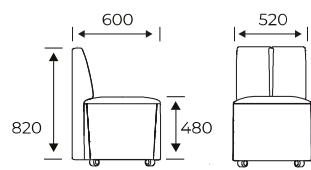
FEATURES

- Scooter including wheels
- Single back or double back options
- Active seat height 48 cm (Fits table height 74 cm)



For product information visit oceefour.com ↗

For full band and colour details [go to page 238](#) ↗

Product	Description (Item nr)	Weight (Kg)	Dimensions (mm)	Band	Same colour (SEK)												
	7024030-W FourLikes® Scooter, Straight, 530, Without backs, Castors	9,5 Kg		<table border="1"> <tr><td>1</td><td>6.102</td></tr> <tr><td>2</td><td>6.618</td></tr> <tr><td>3</td><td>7.137</td></tr> <tr><td>4</td><td>7.652</td></tr> <tr><td>5</td><td>8.167</td></tr> <tr><td>8</td><td>10.752</td></tr> </table>	1	6.102	2	6.618	3	7.137	4	7.652	5	8.167	8	10.752	
1	6.102																
2	6.618																
3	7.137																
4	7.652																
5	8.167																
8	10.752																
	702403A-W FourLikes® Scooter, Straight, 530, 1 single back, Castors	11,6 Kg		<table border="1"> <tr><td>1</td><td>8.040</td></tr> <tr><td>2</td><td>8.721</td></tr> <tr><td>3</td><td>9.405</td></tr> <tr><td>4</td><td>10.084</td></tr> <tr><td>5</td><td>10.764</td></tr> <tr><td>8</td><td>14.172</td></tr> </table>	1	8.040	2	8.721	3	9.405	4	10.084	5	10.764	8	14.172	
1	8.040																
2	8.721																
3	9.405																
4	10.084																
5	10.764																
8	14.172																
	7024031-W FourLikes® Scooter, Straight, 530, 1 double back, Castors	13,4 Kg		<table border="1"> <tr><td>1</td><td>9.328</td></tr> <tr><td>2</td><td>10.035</td></tr> <tr><td>3</td><td>10.744</td></tr> <tr><td>4</td><td>11.449</td></tr> <tr><td>5</td><td>12.157</td></tr> <tr><td>8</td><td>15.696</td></tr> </table>	1	9.328	2	10.035	3	10.744	4	11.449	5	12.157	8	15.696	
1	9.328																
2	10.035																
3	10.744																
4	11.449																
5	12.157																
8	15.696																




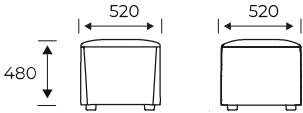

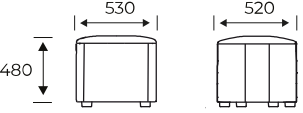

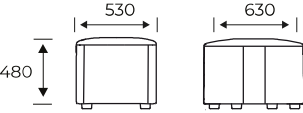

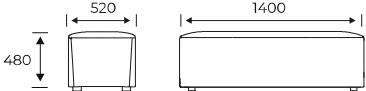
FEATURES

- FourLikes Scooter including legs.
- Single back or double back options.
- Active seat height 48 cm (fits table height 74 cm).
- Only FourLikes Scooter 1400/2100: Electrical units are optional and will be positioned on the left or right side of sofas as standard.



For product information visit oceefour.com ↗


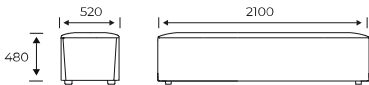


For full band and colour details [go to page 238](#) ↗

Product	Description (Item nr)	Weight (Kg)	Dimensions (mm)	Band	Same colour (SEK)
	7024030 FourLikes® Scooter, Straight, 530, Without backs	9,5 Kg		1 2 3 4 5 8	5.326 5.842 6.361 6.876 7.391 9.976
	7024130 FourLikes® Scooter, 45 degree, 530, Without backs	9,7 Kg		1 2 3 4 5 8	5.889 6.462 7.033 7.606 8.180 11.040
	7024230 FourLikes® Scooter, 90 degree, 530, Without backs	10,4 Kg		1 2 3 4 5 8	6.773 7.431 8.088 8.745 9.400 12.686
	7024010 FourLikes® Scooter, Straight, 1400, Without backs	26,4 Kg		1 2 3 4 5 8	9.554 11.044 12.531 14.024 15.511 22.959

FourLikes® Scooter

Design by Nørgaard Design

[Content ↗](#)

Product	Description (Item nr)	Weight (Kg)	Dimensions (mm)	Band	Same colour (SEK)
	7024020 FourLikes® Scooter, Straight, 2100, Without backs	40,5 Kg		<ul style="list-style-type: none"> 1 2 3 4 5 8 	<ul style="list-style-type: none"> 10.560 12.049 13.536 15.029 16.517 23.962
	7024XXA FourLikes® Scooter, Straight, 1400, 1 single back	2,1 Kg		<ul style="list-style-type: none"> 1 2 3 4 5 8 	<ul style="list-style-type: none"> 1.938 2.103 2.268 2.432 2.597 3.420
	7024XX1 FourLikes® Scooter, Straight, 1400, 1 double back	3,9 Kg		<ul style="list-style-type: none"> 1 2 3 4 5 8 	<ul style="list-style-type: none"> 3.226 3.417 3.607 3.797 3.990 4.944

ACCESSORIES	Description	Weight (Kg)	Dimensions (mm)	Price (SEK)
	With Linking			416

FourLikes® Wall bench

Design by Nørgaard Design

[Content ↗](#)



FEATURES

- Wall-mounted (We recommend a sitting height of 46-48 cm.)
- Compact footprint for utilisation of all square metres
- We recommend at least two brackets per 140 cm
- We recommend a max. load of 150 kg. per 2 brackets as well as mounting on concrete/brick wall
- Backrest is supplied with a vertical wall mount bracket
- The seat is delivered without screws and brackets



For product information visit oceefour.com ↗

For full band and colour details [go to page 238](#) ↗


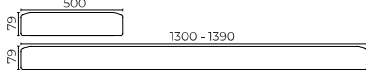

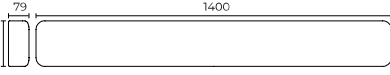

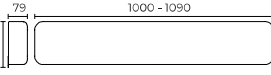

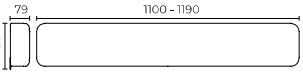

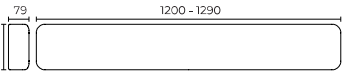

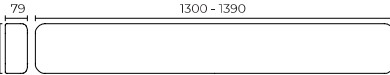
Product	Description (Item nr)	Weight (Kg)	Dimensions (mm)	Band	Same colour (SEK)
	70331I FourLikes® Wall Bench, Seat, 1400	9,2 Kg		1 2 3 4 5 8	4.577 5.460 6.344 7.228 8.112 12.526
	70331A FourLikes® Wall Bench, Seat, 1000-1090	(6,5 Kg)		1 2 3 4 5 8	5.099 5.923 6.750 7.575 8.398 12.524
	70331B FourLikes® Wall Bench, Seat, 1100-1190	(7,2 Kg)		1 2 3 4 5 8	5.282 6.152 7.021 7.891 8.760 13.107
	70331C FourLikes® Wall Bench, Seat, 1200-1290	(7,9 Kg)		1 2 3 4 5 8	5.466 6.389 7.311 8.233 9.154 13.763

20% rabatt ska dras av på angivna priser

FourLikes® Wall bench

Design by Nørgaard Design

[Content ↗](#)

Product	Description (Item nr)	Weight (Kg)	Dimensions (mm)	Band	Same colour (SEK)
	70331D FourLikes® Wall Bench, Seat, 1300-1390	(8,5 Kg)		1 2 3 4 5 8	5.588 6.562 7.533 8.504 9.476 14.338
	703321 FourLikes® Wall Bench, Backrest, 1400	2,6 Kg		1 2 3 4 5 8	5.382 6.204 7.026 7.846 8.667 12.775
	70332A FourLikes® Wall Bench, Backrest, 1000-1090	(1,8 Kg)		1 2 3 4 5 8	4.951 5.594 6.235 6.876 7.519 10.727
	70332B FourLikes® Wall Bench, Backrest, 1100-1190	(2 Kg)		1 2 3 4 5 8	5.094 5.775 6.459 7.142 7.823 11.235
	70332C FourLikes® Wall Bench, Backrest, 1200-1290	(2,2 Kg)		1 2 3 4 5 8	5.168 5.900 6.633 7.366 8.098 11.760
	70332D FourLikes® Wall Bench, Backrest, 1300-1390	(2,4 Kg)		1 2 3 4 5 8	5.310 6.084 6.860 7.636 8.410 12.285

ACCESSORIES	Description	Weight (Kg)	Dimensions (mm)	Price (SEK)
	With Bracket			1.507



20% rabatt ska dras av på angivna priser



FourUs®



FourUs® Booth



FourUs® Booth 2



FourUs® Work Booth



FourUs® Solo



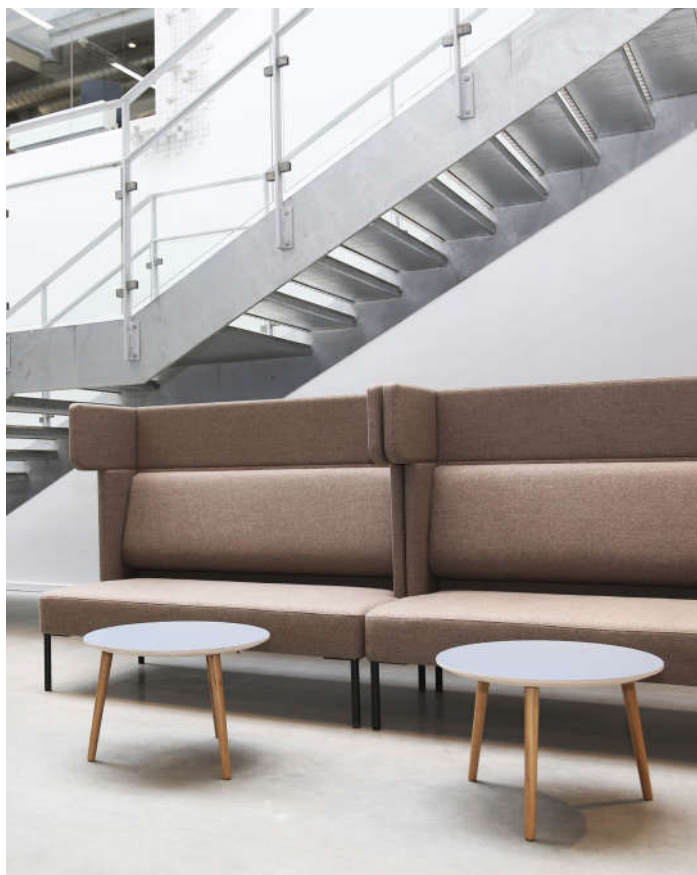
FourUs® 3-Seater



FourUs® Wallpod



FourUs® Worx




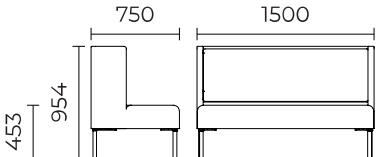

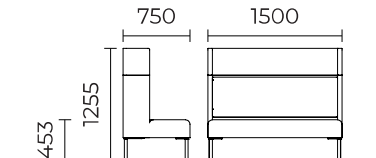

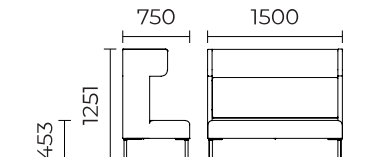

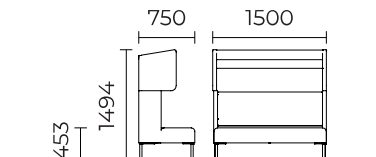
FEATURES


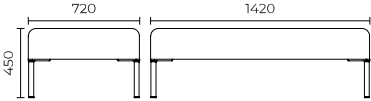

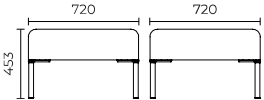





- Acoustic and visual privacy
- Linking options
- Uni- or Multicolored
- Facility friendly; designed for optimal cleaning
- Optional: Castors, Skid frame, InnoTab tablet, Magazine holder, Shelf (height 95 cm).
- Electrical units are optional and will be positioned on the left or right side of sofas as standard.

For product information visit oceefour.com ↗

For electrical accessories [go to page 228](#) ↗

For full band and colour details [go to page 238](#) ↗

Product	Description (Item nr)	Weight (Kg)	Dimensions (mm)	Band	Same colour (SEK)	Different colour (SEK)
	80000 FourUs®, Bench	52 kg		1 2 3 4 5 8	19.880 21.785 23.319 24.773 28.463 52.361	
	80001 FourUs®, Extension	64 kg		1 2 3 4 5 8	24.812 26.944 28.659 30.263 34.884 64.583	
	80002 FourUs®, Ear	58 kg		1 2 3 4 5 8	26.176 28.020 29.648 31.472 36.690 66.569	
	80003 FourUs®, Cave	70 kg		1 2 3 4 5 8	30.253 32.423 34.440 36.461 43.179 81.938	

Product	Description (Item nr)	Weight (Kg)	Dimensions (mm)	Band	Same colour (SEK)	Different colour (SEK)
	80004 FourUs®, Daybed	25 kg		1 2 3 4 5 8	10.081 10.767 11.310 11.897 13.693 21.514	
	80005 FourUs®, Stool	16 kg		1 2 3 4 5 8	8.064 8.778 9.184 9.789 10.484 13.894	
	80000-S FourUs®, Bench, Seat			1 2 3 4 5 8		2.574 3.176 4.044 4.739 5.517 8.097
	80000-C FourUs®, Bench, Cushion			1 2 3 4 5 8		2.574 2.996 3.052 3.297 3.534 5.753
	80001-T FourUs®, Extension, Top			1 2 3 4 5 8		1.807 1.986 2.505 3.033 3.554 4.963
	80002-T FourUs®, Ear, Top			1 2 3 4 5 8		2.210 2.791 3.522 4.091 4.802 6.835
	80003-T FourUs®, Cave, Top			1 2 3 4 5 8		4.058 5.215 6.344 7.313 8.448 10.504

ACCESSORIES	Description	Weight (Kg)	Dimensions (mm)	Price (SEK)
	FOURUS LEGS Castors			3.960
	FOURUS LEGS Skid frame			3.742
	160800L InnoTab, FourUs, Left			3.872
	160800R InnoTab, FourUs, Right			3.872
	899010 FourUs® Optional Extras, Magazine holder black, 30 cm	4,9 Kg	300 x 352 mm	1.089
	899020 FourUs® Optional Extras, Magazine holder black, 70 cm	5,6 Kg	700 x 325 mm	1.484
	899100 FourUs® Optional Extras, Shelf black	5,8 Kg	L1412 mm	5.949



FEATURES


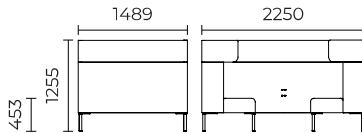



- Private working area for 4 people. Acoustic and visual privacy.
- Uni- or multicoloured.
- Facility friendly; designed for optimal cleaning.
- Optional: Pivot table that effortlessly moves both horizontally and vertically (Nano laminate: Warm grey, Anthracite or Black).
- Frame and fittings in black, matt lacquered.
- Optional: Skid frame, Magazine holder, Shelf (height 95 cm) TV bracket.
- Electrical units are optional in sofa and in tabletop.







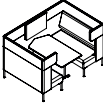
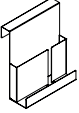
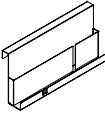

For product information visit oceefour.com ↗

For electrical accessories [go to page 228](#) ↗

For full band and colour details [go to page 238](#) ↗

Product	Description (Item nr)	Weight (Kg)	Dimensions (mm)	Band	Same colour (SEK)	Different colour (SEK)
	81002 FourUs® Booth,	154 kg		1 2 3 4 5	60.327 65.121 69.465 74.247 78.807	
	81002-S FourUs® Booth, 2 x Seat			1 2 3 4 5 8		5.146 5.961 7.945 9.565 11.189 16.057
	81002-C FourUs® Booth, 2 x Cushion			1 2 3 4 5 8		5.146 5.644 6.096 6.595 7.610 10.443
	81002-T FourUs® Booth, Top			1 2 3 4 5 8		4.421 4.860 5.239 5.841 6.901 11.322

Product	Description (Item nr)	Weight (Kg)	Dimensions (mm)	Band	Same colour (SEK)	Different colour (SEK)
	81003-C FourUs® Booth, Cave			1		14.221
				2		17.442
				3		20.649
				4		23.267
				5		27.608

ACCESSORIES	Description	Weight (Kg)	Dimensions (mm)	Price (SEK)
	CABLE MANAGEMENT Pre-drilled hole in wall for cables for TV			345
	CABLE MANAGEMENT Fabric with velcro for concealing cable-right side			781
	CABLE MANAGEMENT Fabric with velcro for concealing cable, left side			781
	FOURUS LEGS Skid frame			3.742
	160800L InnoTab, FourUs, Left			3.872
	160800R InnoTab, FourUs, Right			3.872
	8501 FourUs® Pivot Table, Pivot table 138x75 (FourUs Booth)	30,6 Kg	1388 x 750 x h720 mm	11.047
	899001 FourUs® Optional Extras, TV bracket	-		3.176
	899010 FourUs® Optional Extras, Magazine holder black, 30 cm	4,9 Kg	300 x 352 mm	1.089
	899020 FourUs® Optional Extras, Magazine holder black, 70 cm	5,6 Kg	700 x 325 mm	1.484
	899100 FourUs® Optional Extras, Shelf black	5,8 Kg	L1412 mm	5.949

FourUs® Booth 2

Design by Nørgaard Design

[Content ↗](#)



FEATURES


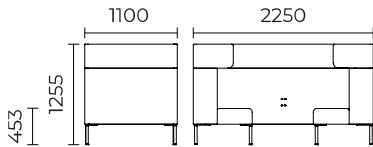



- Private working area for 2 people. Acoustic and visual privacy.
- Uni- or multicoloured.
- Facility friendly; designed for optimal cleaning.
- Optional: Pivot table that effortlessly moves both horizontally and vertically (Nano laminate: Warm grey, Anthracite or Black).
- Frame and fittings in black, matt lacquered.
- Optional: Skid frame, Magazine holder, Shelf (h 95 cm) TV bracket.
- Electrical units are optional in sofa and in tabletop.



For product information visit oceefour.com ↗

For electrical accessories [go to page 228](#) ↗

For full band and colour details [go to page 238](#) ↗





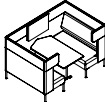
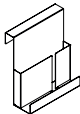
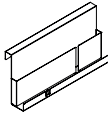
Product	Description (Item nr)	Weight (Kg)	Dimensions (mm)	Band	Same colour (SEK)	Different colour (SEK)
	81042 FourUs® Booth 2,	-		1 2 3 4 5	48.260 52.098 55.574 59.397 63.046	
	81042-S FourUs® Booth 2, 2 x Seat			1 2 3 4 5 8		4.530 5.244 6.993 8.419 9.848 14.133
	81042-C FourUs® Booth 2, 2 x Cushion			1 2 3 4 5 8		4.530 4.967 5.366 5.806 6.695 9.189
	81042-T FourUs® Booth 2, Top			1 2 3 4 5 8		3.890 4.276 4.610 5.139 4.276 4.610

20% rabatt ska dras av på angivna priser

FourUs® Booth 2

Design by Nørgaard Design

[Content ↗](#)

ACCESSORIES	Description	Weight (Kg)	Dimensions (mm)	Price (SEK)
	CABLE MANAGEMENT Pre-drilled hole in wall for cables for TV			345
	CABLE MANAGEMENT Fabric with velcro for concealing cable-right side			781
	CABLE MANAGEMENT Fabric with velcro for concealing cable, left side			781
	FOURUS LEGS Skid frame			3.742
	160800L InnoTab, FourUs, Left			3.872
	160800R InnoTab, FourUs, Right			3.872
	8502 FourUs® Pivot Table, Pivot table 99x75 (FourUs Booth 2)	-		11.047
	899001 FourUs® Optional Extras, TV bracket	-		3.176
	899010 FourUs® Optional Extras, Magazine holder black, 30 cm	4,9 Kg	300 x 352 mm	1.089
	899020 FourUs® Optional Extras, Magazine holder black, 70 cm	5,6 Kg	700 x 325 mm	1.484

FourUs® Work Booth

Design by Nørgaard Design

[Content ↗](#)



FEATURES


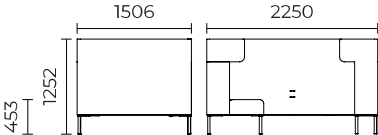

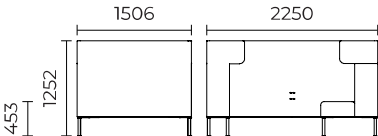


- Private working area for 1-3 people. Acoustic and visual privacy.
- Delivered left or right-handed. Uni- or multicoloured.
- Facility friendly; designed for optimal cleaning.
- Optional: Pivot table that effortlessly moves both horizontally and vertically (Nano laminate: Warm grey, Anthracite or Black).
- Frame and fittings in black, matt lacquered.
- Optional: Skid frame, Magazine holder, Shelf (h 95 cm) TV bracket.
- Electrical units are optional in sofa and in tabletop.



For product information visit oceefour.com ↗

For electrical accessories [go to page 228](#) ↗

For full band and colour details [go to page 238](#) ↗





Product	Description (Item nr)	Weight (Kg)	Dimensions (mm)	Band	Same colour (SEK)	Different colour (SEK)
	87062 FourUs® Work Booth right,	154 kg		1 2 3 4 5	50.711 55.821 60.930 66.040 71.149	
	87072 FourUs® Work Booth left,	154 kg		1 2 3 4 5	50.711 55.821 60.930 66.040 71.149	
	87062-S FourUs® Work Booth right, Seat			1 2 3 4 5 8		2.574 2.981 3.973 4.784 5.597 8.030
	87072-S FourUs® Work Booth left, Seat			1 2 3 4 5 8		2.574 2.981 3.973 4.784 5.597 8.030



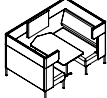
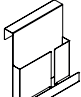
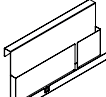
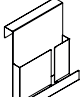
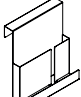
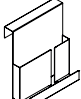

20% rabatt ska dras av på angivna priser

FourUs® Work Booth

Design by Nørgaard Design

[Content ↗](#)

Product	Description (Item nr)	Weight (Kg)	Dimensions (mm)	Band	Same colour (SEK)	Different colour (SEK)
	87062-C FourUs® Work Booth right, Cushion			1		2.574
				2		2.823
				3		3.050
				4		3.297
				5		3.805
				8		5.222
	87072-C FourUs® Work Booth left, Cushion			1		2.574
				2		2.823
				3		3.050
				4		3.297
				5		3.805
				8		5.222
	87062-T FourUs® Work Booth right, Top			1		4.421
				2		4.860
				3		5.239
				4		5.841
				5		6.901
				8		11.322
	87072-T FourUs® Work Booth left, Top			1		4.421
				2		4.860
				3		5.239
				4		5.841
				5		6.901
				8		11.322

ACCESSORIES	Description	Weight (Kg)	Dimensions (mm)	Price (SEK)
	CABLE MANAGEMENT Pre-drilled hole in wall for cables for TV			345
	CABLE MANAGEMENT Fabric with velcro for concealing cable-right side			781
	CABLE MANAGEMENT Fabric with velcro for concealing cable, left side			781
	8503 FourUs® Pivot Table, Pivot table (FourUs Work Booth) right	22,9 Kg	1361 x 842 x H720 mm	11.047
	8504 FourUs® Pivot Table, Pivot table (FourUs Work Booth) left	22,9 Kg	1361 x 842 x H720 mm	11.047
	899001 FourUs® Optional Extras, TV bracket	-		3.176
	899010 FourUs® Optional Extras, Magazine holder black, 30 cm	4,9 Kg	300 x 352 mm	1.089
	899020 FourUs® Optional Extras, Magazine holder black, 70 cm	5,6 Kg	700 x 325 mm	1.484
	899030 FourUs® Optional Extras, Magazine holder black, 22,5 cm	-		2.839
	899040 FourUs® Optional Extras, Magazine holder white, 22,5 cm	-		2.839
	899050 FourUs® Optional Extras, Magazine holder grey, 22,5 cm	-		2.839
	899100 FourUs® Optional Extras, Shelf black	5,8 Kg	L1412 mm	5.949

FourUs® Solo

Design by Nørgaard Design

[Content ↗](#)



FEATURES


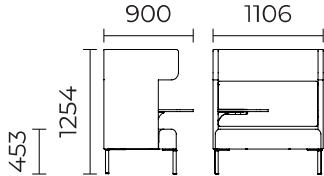



- Acoustic and visual privacy. Uni- or multicoloured.
- Facility friendly; designed for optimal cleaning.
- Inclusive black Fenix-laminate tablet (21 mm) – placed on the right side as standard.
- Standard leg frame black (RAL 7021). Optional: Castors or Skid frame.
- Electrical units are optional and will be positioned on the left or right side of sofas as standard.



For product information visit oceefour.com ↗

For electrical accessories [go to page 228](#) ↗

For full band and colour details [go to page 238](#) ↗

Product	Description (Item nr)	Weight (Kg)	Dimensions (mm)	Band	Same colour (SEK)	Different colour (SEK)
	80016 FourUs® Solo with black tablet,	64 kg		1 2 3 4 5 8	25.783 27.601 29.203 31.004 36.139 65.571	
	80016-S FourUs® Solo with black tablet, Seat			1 2 3 4 5 8		2.512 2.923 2.975 3.218 3.451 6.683
	80016-C FourUs® Solo with black tablet, Cushion			1 2 3 4 5 8		2.512 2.923 2.975 3.218 3.451 6.683
	80016-T FourUs® Solo with black tablet, Top			1 2 3 4 5 8		2.337 3.093 3.786 4.564 5.269 7.450

FourUs® Solo

Design by Nørgaard Design

[Content](#) ↗

ACCESSORIES	Description	Weight (Kg)	Dimensions (mm)	Price (SEK)
	FOURUS LEGS Castors			3.960
	FOURUS LEGS Skid frame			3.742

20% rabatt ska dras av på angivna priser

FourUs® 3-Seater

Design by Nørgaard Design

[Content ↗](#)



FEATURES


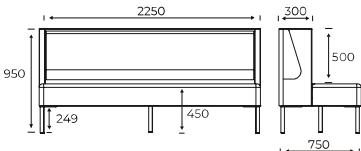

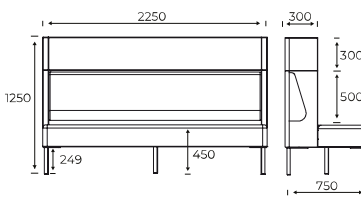

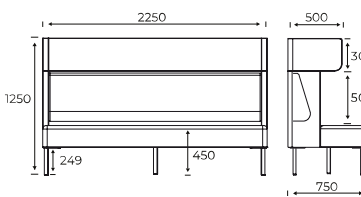

- Acoustic and visual privacy. Uni- or Multicoloured.
- Facility friendly; designed for optimal cleaning.
- Optional: Skid frame, InnoTab tablet, Magazine holder, Shelf (height 95 cm).
- Electrical units are optional and will be positioned on the left or right side of sofas as standard.



For product information visit oceefour.com ↗

For electrical accessories [go to page 228](#) ↗


For full band and colour details [go to page 238](#) ↗

Product	Description (Item nr)	Weight (Kg)	Dimensions (mm)	Band	Same colour (SEK)	Different colour (SEK)
	80030 FourUs® 3-Seater, Bench	-		1 2 3 4 5 8	29.253 31.129 32.817 34.692 38.441 55.882	
	80031 FourUs® 3-Seater, Extension	-		1 2 3 4 5 8	34.562 36.567 38.253 39.849 44.536 66.478	
	80032 FourUs® 3-Seater, Ear	62 Kg		1 2 3 4 5 8	35.817 37.878 39.567 41.289 45.849 67.788	
	80030-S FourUs® 3-Seater, Bench, Seat			1 2 3 4 5 8		3.095 4.078 4.855 5.822 6.778 9.901

FourUs® 3-Seater

Design by Nørgaard Design

[Content ↗](#)

Product	Description (Item nr)	Weight (Kg)	Dimensions (mm)	Band	Same colour (SEK)	Different colour (SEK)
	80030-C FourUs® 3-Seater, Bench, Cushion			1		2.774
				2		2.993
				3		3.121
				4		3.392
				5		3.562
				8		6.315
	80031-T FourUs® 3-Seater, Extension, Top			1		2.776
				2		2.993
				3		3.544
				4		4.339
				5		5.138
				8		7.502
	80032-T FourUs® 3-Seater, Ear, Top			1		2.776
				2		2.993
				3		3.544
				4		4.339
				5		5.138
				8		7.502

ACCESSORIES	Description	Weight (Kg)	Dimensions (mm)	Price (SEK)
	FOURUS LEGS Skid frame			3.742
	160800L InnoTab, FourUs, Left			3.872
	160800R InnoTab, FourUs, Right			3.872
	899010 FourUs® Optional Extras, Magazine holder black, 30 cm	4,9 Kg	300 x 352 mm	1.089
	899020 FourUs® Optional Extras, Magazine holder black, 70 cm	5,6 Kg	700 x 325 mm	1.484

20% rabatt ska dras av på angivna priser



FEATURES

- Acoustic and visual privacy
- Touch-Down-workspace (1 Person)
- Table top in: Black, warm grey or anthracite Nano laminate (138x50 cm)
- Matching ABS edges




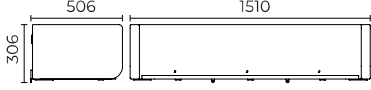

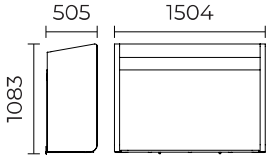
For product information visit oceefour.com ↗

TABLE TOP

Fenix laminate



For full band and colour details [go to page 238](#) ↗

Product	Description (Item nr)	Weight (Kg)	Dimensions (mm)	Band	Same colour (SEK)
	8200E FourUs® Wallpod, Wallpod Ear	29 kg		<ul style="list-style-type: none"> 1 9.656 2 10.198 3 10.667 4 11.182 5 11.675 8 16.518 	
	8200F FourUs® Wallpod, Wallpod Cave	35 kg		<ul style="list-style-type: none"> 1 17.477 2 19.096 3 20.571 4 22.193 5 23.741 8 41.609 	



FEATURES

- Table height 74 cm – integrated castors on two legs.
- Foldable by one person without the use of tools.
- Tabletop 98 x 65 cm.
- Table top in: Black, warm gray or anthracite Nano laminate.
- Matching ABS edges.
- Electrical units are optional in tabletop.

For product information visit oceefour.com ↗

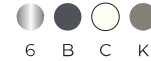
TABLE TOP

Fenix laminate




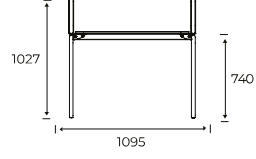
FRAME COLOURS

Standard



For electrical accessories [go to page 228](#) ↗

For full colour details [go to page 236](#) ↗

Product	Description (Item nr)	Weight (Kg)	Dimensions (mm)	Top/Band	Price (SEK)
	83022 FourUs® Worx, FourWorx	28.4		1	17.562
				2	18.228
				3	18.776
				4	19.436
				5	20.071
				8	26.571

For tabletop cutout placements go to: [Oceedesign.com/Cutout.pdf](https://oceedesign.com/Cutout.pdf)



Harc Tub



Harc Tub Meeting

Harc Tub

Design Roger Webb Associates

[Content ↗](#)



For data information, certificates and product description please refer to our website www.fourdesign.dk




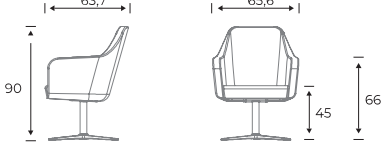

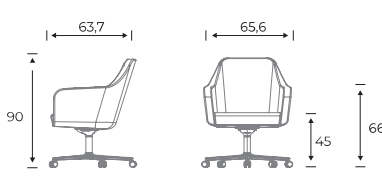



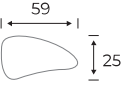
- Two-tone fabric option
- 5 star base is available on request

		Dimensions (cm)		Band	Price
	HARCTUBLB1 Low Back Lounge Chair Skid Frame			1 2 3 4 5 6 7	11.186 11.573 12.151 12.922 14.277 15.818 17.366
	HARCTUBLB2 Low Back Lounge Chair 4-star Polished Aluminium Swivel & Tilt Base			1 2 3 4 5 6 7	12.151 12.538 13.115 13.887 15.242 16.783 18.331
	HARCTUBLB3 18 Kg Low Back Lounge Chair Wooden Frame			1 2 3 4 5 6 7	16.012 16.399 16.977 17.749 19.103 20.645 22.192
	HARCTUBHB1 High Back Lounge Chair Skid Frame			1 2 3 4 5 6 7	14.371 14.949 15.723 16.688 18.426 20.547 23.057
	HARCTUBHB2 High Back Lounge Chair 4-star Polished Aluminium Swivel & tilt Base			1 2 3 4 5 6 7	15.336 15.914 16.688 17.652 19.391 21.512 24.022
	HARCTUBHB3 High Back Lounge Chair Wooden Frame			1 2 3 4 5 6 7	19.198 19.775 20.549 21.514 23.252 25.373 27.883


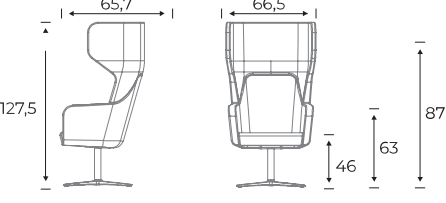

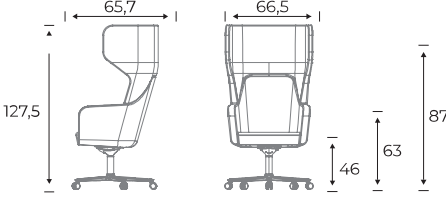

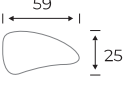
Harc Tub Meeting

Design Roger Webb Associates

[Content ↗](#)

		Dimensions (cm)	Band	Price
	HARCTUBMB2 Low Back Meeting Chair 4-star Polished Aluminium Swivel & Tilt Base		1	12.151
			2	12.538
			3	13.115
			4	13.887
			5	15.242
			6	16.783
			7	18.331
	HARCTUBMB6 Low back meeting chair 5 star polished aluminium base with castors		1	11.186
			2	11.573
			3	12.151
			4	12.922
			5	14.277
			6	15.818
			7	17.366
	HARCTUHR Headrest option for all Harc Low Back Tub Chairs and Meeting Chairs		1	2.562
			2	2.688
			3	2.811
			4	2.965
			5	3.273
			6	3.616
			7	4.015
	TABLET Tablet option for Harc meeting with a 4 star base and Harc meeting with 5 star base and castors*			4.055

*Tablet not available on 4 and 5 star base with swivel return option

	HARCTUBMH2 High back meeting chair 4-star polished aluminium swivel & tilt base		1	15.336
			2	15.914
			3	16.688
			4	17.652
			5	19.391
			6	21.512
			7	24.022
	HARCTUBMH6 High back meeting chair 5-star polished aluminium base with castors		1	14.371
			2	14.949
			3	15.723
			4	16.688
			5	18.426
			6	20.547
			7	23.057
	TABLET Tablet option for Harc meeting with a 5 star base and castors*			4.055

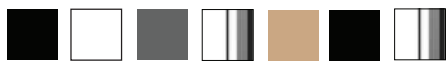
*Tablet not available on 4 and 5 star base with swivel return option

20% rabatt ska dras av på angivna priser

Specifications & Options

- Low and high back option on all models
- Moulded foam for additional comfort and durability
- Two-tone fabric option
- Headrest option for all Harc Low Back tub chairs and Meeting chairs

Frame options

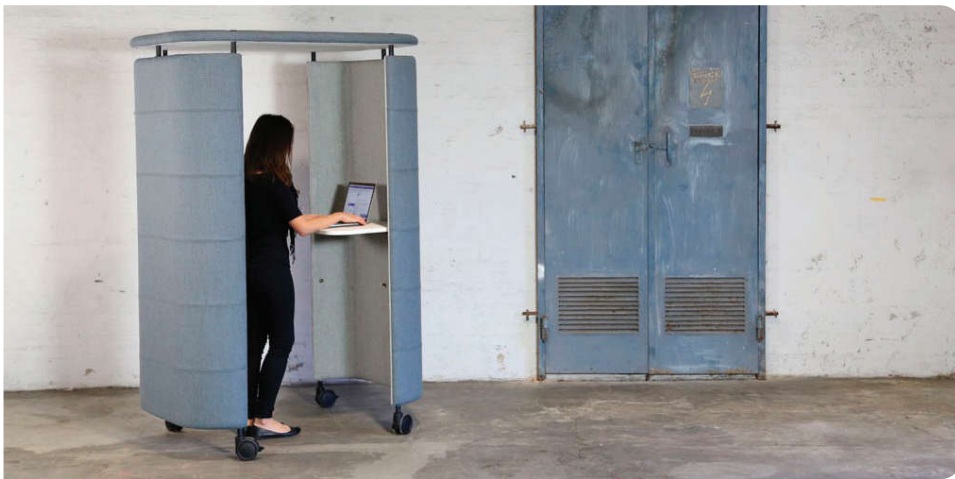



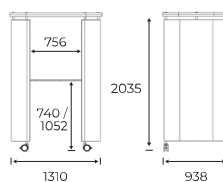

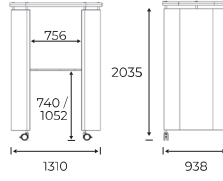

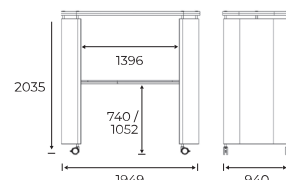
Black, White, Warm Grey, chrome, oak oiled, oak stained black, aluminium (chairs with swivel base only)

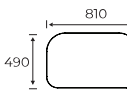
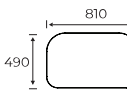
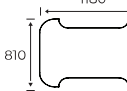
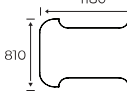
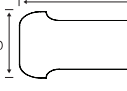
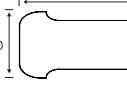



För datainformation, certifikat och produktbeskrivning, se vår webbplats www.oceefour.com

- Tillgänglig i två storlekar
- Två olika bordshöjder

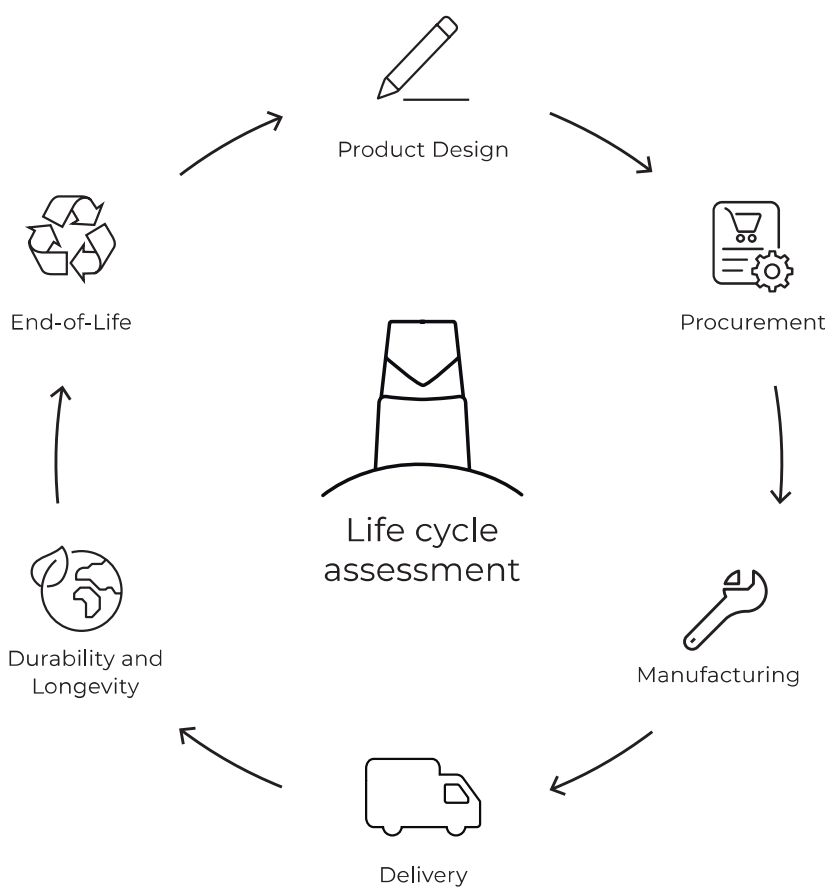


		Mått (mm)	Grupp	Pris
	62000 Inno Pod Inkl. bordsskiva 81 x 49 cm		1	27.037
			2	28.584
	62001 Inno Pod Inkl. bordsskiva 81 x 118 cm		1	28.485
			2	30.032
	62003 Inno Pod Big Inkl. bordsskiva 81 x 180 cm		1	35.504
			2	37.279

Tillbehör		Mått (mm)	Bordsskiva	Pris
	62100 Bordsskiva (1 stolupphängning kan monteras)		07 ●	2.593
			08 ●	
			09 ●	
	62101 Bordsskiva (1 stolupphängning kan monteras)		07 ●	5.985
			08 ●	
			09 ●	
	62103 Bordsskiva (Stolupphängning kan inte monteras)		07 ●	9.651
			08 ●	
			09 ●	
	CS1 Stolupphängning till FourCast2 Four, FourCast2 Line, FourSure 44, FourSure 88, FourSure 11, FourSure 99, Four Stools, Four Seating Benches	0,288kg		255
	CS2 Stolupphängning till Four Cast Wheeler, Four Sure 66	0,288kg		255

Let's furnish the world *better*

When we design a product, we consider every stage of the products lifecycle to ensure we are making responsible choices throughout all areas of the company. Each stage has the possibility to effect the next and so the whole picture is considered. Responsible manufacturing not only looks at the materials and where they are sourced, but also the manufacturing site and resources consumed; the use and durability of the product; the packaging and delivery service; as well as the product's end-of-life.




20% rabatt ska dras av på angivna priser

Our furniture are tested for Globally use



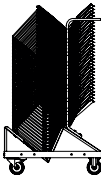
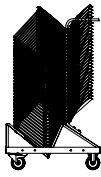

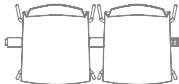
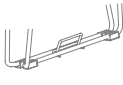
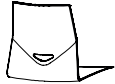

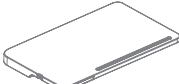
The following images are for illustrative purposes only. The finished product will contain standardised sockets based on the country of your choice. Please note prices include our team supplying products with prepared hole for unit installation. Please note, for tables, the electrical unit will be delivered separately, please follow the assembly instructions provided with your order to install the unit. For soft seating, the electrical unit will be preinstalled.








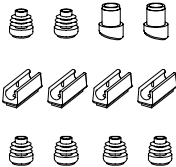
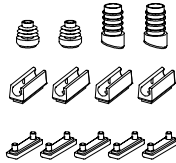

EVOLINE	PRICE (SEK)
 <p>EVOLINE ONE BLACK (APO00101) Ø60 Socket, 13 A, contactprotected. Power supply module with cable and connector, plug, cable length 3.0 m, black with lock. Power supply module with cable and connector, socket, cable length 3.0 m, black without lock.</p>	<p>FourReal® FourReal® A Four®Learning Four®Eating Four®Meeting Four®Mat FourLikes® T FourLikes® FourLikes® Meet FourLikes® Scooter (1400/2100)</p> <p>FourUs® Work/Booth (tabletop) Harc Sofa/Modular Harc Booth tabletop FourPeople Sofas/Booths/Huts</p> <p>1.865</p>
 <p>EVOLINE ONE WHITE (APO00102) Ø60 Socket, 13 A, contactprotected. Power supply module with cable and connector, plug, cable length 3.0 m, black with lock. Power supply module with cable and connector, socket, cable length 3.0 m, black without lock.</p>	<p>FourReal® FourReal® A Four®Learning Four®Eating Four®Meeting Four®Mat FourLikes® T FourLikes® FourLikes® Meet FourLikes® Scooter (1400/2100)</p> <p>FourUs® Work/Booth (tabletop) Harc Sofa/Modular Harc Booth tabletop FourPeople Sofas/Booths/Huts</p> <p>1.865</p>
 <p>EVOLINE ONE USB BLACK (APO00201) USB socket, charging function only. Rated output current: 2100 mA; Type A + C. Power supply module with cable and connector, plug, cable length 3.0 m, black with lock. Power supply module with cable and connector, socket, cable length 3.0 m, black without lock.</p>	<p>FourReal® FourReal® A Four®Learning Four®Eating Four®Meeting Four®Mat FourLikes® T FourLikes® FourLikes® Meet FourLikes® Scooter (1400/2100)</p> <p>FourUs® Work/Booth (tabletop) Harc Sofa/Modular Harc Booth tabletop FourPeople Sofas/Booths/Huts</p> <p>2.566</p>
 <p>EVOLINE ONE USB WHITE (APO00202) USB socket, charging function only. Rated output current: 2100 mA; Type A + C. Power supply module with cable and connector, plug, cable length 3.0 m, black with lock. Power supply module with cable and connector, socket, cable length 3.0 m, black without lock.</p>	<p>FourReal® FourReal® A Four®Learning Four®Eating Four®Meeting Four®Mat FourLikes® T FourLikes® FourLikes® Meet FourLikes® Scooter (1400/2100)</p> <p>FourUs® Work/Booth (tabletop) Harc Sofa/Modular Harc Booth tabletop FourPeople Sofas/Booths/Huts</p> <p>2.566</p>
 <p>EVOLINE FRAMEDOCK BLACK (APF3010102) 2 x Socket Modules, 13 A, contactprotected. 1 x Socket Modules, USB socket, charging function only. Rated output current: 2100 mA; Type A + C. Power supply module with cable and connector, plug, cable length 3.0 m, black with lock. Power supply module with cable and connector, socket, cable length 3.0 m, black with lock.</p>	<p>FourReal® FourReal® A Four®Learning Four®Eating Four®Meeting Four®Mat</p> <p>3.370</p>
 <p>EVOLINE FRAMEDOCK SILVER ANODISED (APF3030102) 2 x Socket Modules, 13 A, contactprotected. 1 x Socket Modules, USB socket, charging function only. Rated output current: 2100 mA; Type A + C. Power supply module with cable and connector, plug, cable length 3.0 m, black with lock. Power supply module with cable and connector, socket, cable length 3.0 m, black with lock.</p>	<p>FourReal® FourReal® A Four®Learning Four®Eating Four®Meeting Four®Mat</p> <p>3.370</p>

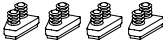






EVOLINE	PRICE (SEK)
 <p>EVOLINE DOCKFIX BLACK (APD301010102)</p> <p>2 x Socket Modules, 13 A, contactprotected. 1 x Socket Modules, USB socket, charging function only. Rated output current: 2100 mA; Type A + C.</p> <p>Power supply module with cable and connector, plug, cable length 3.0 m, black with lock.</p> <p>Power supply module with cable and connector, socket, cable length 3.0 m, black with lock.</p> <p>With sidebrackets for sub-mounting.</p>	<p>FourUs® FourUs® Booth FourUs® Work Booth FourUs® Solo FourUs® 3 Seater FourUs® Corner</p> <p>3.668</p>











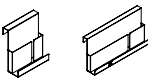
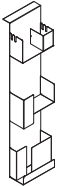
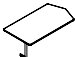
CHAIRS

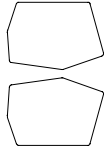
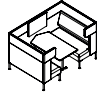
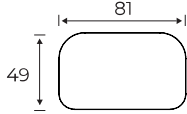
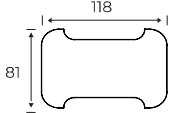
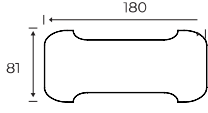
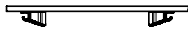
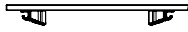
	<p>CHAIR TROLLEY - 200X0</p>	<p>Chair trolley for:</p> <p>FourSure® 44 FourSure® 44 Armrest FourSure® 88 FourSure® 88 Armrest FourCast® 2 Four FourCast® 2 Four Armrest FourCast® 2 Line FourCast® 2 Line Armrest</p>	<p>200A0 200C0 200F0 200J0</p>
	<p>CHAIR TROLLEY - 200X0</p>	<p>Chair trolley for:</p> <p>FourCast® 2 Four Seat/Fully FourCast® 2 Four Seat/Fully Arm FourCast® 2 Line Seat/Fully FourCast® 2 Line Seat/Fully Arm FourCast® 2 Line Veneer FourSure® 44 Inside/Seat/Fully FourSure® 44 Seat/Arm FourSure® 44 Inside/Arm FourSure® 88 Seat FourSure® 88 Inside FourSure® 88 Seat/Inside Arm Share Basic without / seat upholstery</p>	<p>20020 20030 20060 20090 20070 200E0 200E0 200D0 200D0 200G0 200H0 200J0 20060</p>
	<p>SACK TROLLEY - 200X1</p>	<p>Chair trolley for:</p> <p>FourCast® 2 Four FourCast® 2 Line FourSure® 44 FourSure® 88</p>	<p>20011 20051 200A1 200F1</p>
	<p>LINKING DEVICE</p>	<p>Chair linking under seat</p> <p>FourCast® 2 Four/Seat FourCast® 2 Line/Seat FourSure® 44 FourSure® 88 FourCast® 2 Four/Fully FourCast® 2 Line/Fully FourSure® 44 Seat/Inside FourSure® 88 Seat/Inside</p>	
	<p>LINKING DEVICE</p>	<p>Chair linking on frame</p> <p>FourCast® 2 Line FourSure® 88</p>	
	<p>GRIP HOLE</p> <p>Grip hole is available for chairs without inside – and full upholstery.</p>		<p>GRIP</p>
	<p>INNO</p> <p>Inno® Note – A slim writing tablet matches a 13" laptop and has integrated cupholder. 225 x 325 x 10 mm (1,4 kg)</p>	<p>FourCast® 2 Four FourCast® 2 Line FourSure® 44 FourSure® 88</p>	
	<p>INNO</p> <p>Inno® Tab - Writing tablet with integrated with integrated cup holder and dashboard for tablet and phone. 520 x 320 x 23 mm (2,7 kg)</p>	<p>FourCast® 2 Wheeler FourSure® 66 FourMe® 66 FourCast® 2 Audi FourSure® Audi</p>	

CHAIRS			
	INNO®NOTE TROLLEY - 20100007 Trolley for Inno®Note. Room for 51 Inno®Notes	FourCast® 2 Four FourCast® 2 Line FourSure® 44 FourSure® 88	20100007
	INNO Inno® Tab B – Writing tablet and powder coated frame with integral cup holder and coat hook. 585 x 308 mm.	White Antchracite	
	INNO Inno® Tab C – Writing tablet and powder coated frame with integral cup holder and coat hook. 475 x 278 mm.	White Antchracite	
	HOOK	FourCast2® Wheeler FourSure® 66	
	GASFOOT Incl. foot ring	FourCast® 2 Wheeler FourSure® 66 FourMe® 66	GASFOOT GASFOOT GASFOOT
	WHEELS	FourCast® 2 Evo FourCast® 2 XL/XL Plus FourSure® 99 FourMe® 99	
	STANDARD POLYIMIDE GLIDES Chair height + 0,2 cm	FourCast® 2 Wheeler FourSure® 66 FourMe® 66	
	TEFLON GLIDERS Set of 4 pcs. Chair height + 0,2 cm	FourCast® 2 Four / Eco FourCast® 2 Line / Eco FourCast® 2 Counter/High / Eco FourCast® 2 Counter/High Four / Eco FourCast® 2 One FourSure® 44 / Eco FourSure® 88 / Eco FourSure® 90/105 /Eco FourSure® 11 + FourSure® 99 FourMe® 44 + FourMe® 88 FourMe® 11 + FourMe® 99 Four® Stools Four® Seating Benches	
	FELT GLIDES Set of 4 pcs. Chair height + 0,2 cm	FourCast® 2 Four / Eco FourCast® 2 Line / Eco FourCast® 2 Counter/High / Eco FourCast® 2 Counter/High Four / Eco FourCast® 2 One FourCast® 2 Evo FourCast® 2 XL/Plus FourCast® 2 Lounge FourSure® 44 / Eco FourSure® 88 / Eco FourSure® 90/105 / Eco FourSure® 11 + FourSure® 99 FourMe® 44 + FourMe® 88 FourMe® 11 + FourMe® 99 FourMe® Lounge	
	FELT GLIDES FOR WOODEN LEGS Set of 4 pcs. Chair height + 0,2 cm.	FourCast® 2 Four FourSure® 44 FourMe® 44	

CHAIRS			
	<p>FELT GLIDES STOOLS & BENCHES WOODEN LEGS</p> <p>4-pack. Sitthöjd + 0,2 cm</p>	<p>Four® Stools wooden legs Four® Seating Benches wooden legs</p>	
	<p>FEET/GLIDERS/CASTORS</p> <p>Noise reducing ferrule with felt. Set of 4 pcs. Chair height + 1 cm</p>	<p>FourCast® 2 Four FourCast® 2 One FourSure® 44 FourSure® 11 FourMe® 44 FourMe® 11</p>	
	<p>FEET/GLIDERS/CASTORS</p> <p>Noise reducing ferrule with big diameter (reduces pressure marks). Set of 4 pcs. Chair height + 0,8 cm</p>	<p>FourCast® 2 Four FourCast® 2 One FourSure® 44 FourSure® 11 FourMe® 44 FourMe® 11</p>	
	<p>CHAIR SEAT-ROW - ACSR0201</p> <p>11 mm - no. 1 - 25</p>	<p>FourCast® 2 Line Eco Label FourCast® 2 Line Fire Retardent FourCast® 2 Line FourSure® 88 Eco Label FourSure® 88</p>	ACSR0201
	<p>CHAIR SEAT-ROW - ACSR0202</p> <p>11 mm - no. 26 - 50</p>	<p>FourCast® 2 Line Eco Label FourCast® 2 Line Fire Retardent FourCast® 2 Line FourSure® 88 Eco Label FourSure® 88</p>	ACSR0202
	<p>CHAIR SEAT-ROW - ACSR0101</p> <p>16 mm - no. 1 - 25</p>	<p>FourCast® 2 Four Eco Label FourCast® 2 Four Fire Retardent FourCast® 2 Four FourSure® 44 Eco Label FourSure® 44</p>	ACSR0101
	<p>CHAIR SEAT-ROW - ACSR0102</p> <p>16 mm - no. 26 - 50</p>	<p>FourCast® 2 Four Eco Label FourCast® 2 Four Fire Retardent FourCast® 2 Four FourSure® 44 Eco Label FourSure® 44</p>	ACSR0102

TABLES			
	<p>TABLE TROLLEY - 20100001 Trolley for 10 folded tables or 7 round tables, including strap. 20 Kg. L: 172 x W: 55 x H: 98 cm Folded Table: 15 cm</p>	<p>Four® Learning Four® Eating FourReal® 74 FourReal® 90 FourReal® 105 FourReal® 741 Flake</p>	<p>20100001 20100001 20100001 20100001 20100001 20100001</p>
	<p>CHAIR SUSPENSION Chair suspension for FourCast2 Four, FourCast2 Line, FourSure 44, FourSure 88, FourSure 11, FourSure 99, Four Stools, Four Seating Benches</p>	<p>Four® Learning Four® Eating Four® Meeting FourReal® 74 FourReal® 90 FourReal® 105 FourReal® 741 Flake</p>	<p>CS1</p>
	<p>CHAIR SUSPENSION Chair suspension for FourCast2 Wheeler, FourSure 66</p>	<p>Four® Learning Four® Eating Four® Meeting FourReal® 74 FourReal® 90 FourReal® 105 FourReal® 741 Flake</p>	<p>CS2</p>
	<p>CABLE CUT OUT Cable duct, aluminum. Cable duct placed in apron</p>	<p>Four® Learning Four® Eating Four® Meeting FourReal®</p>	<p>CD</p>
	<p>CD Cable duct, single, incl. hole in table top. Aluminium.</p>	<p>Four® Mat</p>	<p>CD1</p>
	<p>CD Cable duct, double, incl. hole in table top. Aluminium.</p>	<p>Four® Mat</p>	<p>CD2</p>
	<p>FRLINK Linking Device, set of 4 pcs - 2 x he, 2 x she per table</p>	<p>Four® Learning Four® Eating Four® Meeting FourReal®</p>	
	<p>CASTORS Castors height adjustable wheel in black with brakes. Set of 4 pieces</p>	<p>FourFold®</p>	<p>CF</p>
	<p>CASTORS</p>	<p>Four® Resting</p>	
	<p>HOLE Pre-drilled hole for power</p>	<p>All tables</p>	
	<p>FLOWER BOX FourReal A 74 + 90 FourReal A XL 74 + 90 FourReal AV</p>	<p>Black 600 mm Black 800 mm</p>	<p>699000008 699000005</p>
	<p>TOP-SHELF FourReal A 74 + 90 FourReal A XL 74 + 90 FourReal AV</p>	<p>White 600 mm x 205 mm Black 600 mm x 205 mm Grey 600 mm x 205 mm</p>	<p>699000001 699000002 699000003</p>

SOFT SEATING			
	LINKING DEVICE 2 her x 2 him	FourLikes®	
	LINKING DEVICE Linking Device	FourLikes® Scooter	
	FEET Feet for FourLikes Scooter	FourLikes® Scooter	
	WHEELS	FourLikes® Scooter	
	INNO® TAB LEFT Black Fenix-Laminate <i>*Only with standard legs</i> L: 480 x W: 300 mm	FourUs® FourUs® 3-seater FourUs® Booth 2 FourUs® Booth	16082-1A1-92
	INNO® TAB RIGHT Black Fenix-Laminate <i>*Only with standard legs</i> L: 480 x W: 300 mm	FourUs® FourUs® 3-seater FourUs® Booth 2 FourUs® Booth	16072-1A1-92
	SHELF Black Fenix-Laminate L: 1500 x W: 300 mm Heigh from floor: 905 mm	FourUs® FourUs® Booth FourUs® Work Booth	8990J-101-13
	CASTORS	FourUs® FourUs® Solo	8990K-100-00
	SKID FRAME	FourUs® FourUs® 3-seater FourUs® Booth 2 FourUs® Booth FourUs® Corner FourUs® Solo	8990M-500-00
	MAGAZINE HOLDER W: 300 mm / 700 mm	FourUs® FourUs® 3-seater FourUs® Booth 2 FourUs® Booth FourUs® Corner FourUs® Work Booth	8990T-000-99 / 8990T-001-99
	MAGAZINE HOLDER, BLACK B: 225 x D: 95 x H: 970 mm	FourUs® Booth FourUs® Booth 2 FourUs® Work Booth	8990T-B00-99
	MAGAZINE HOLDER, WHITE B: 225 x D: 95 x H: 970 mm		8990T-C00-99
	MAGAZINE HOLDER, GREY B: 225 x D: 95 x H: 970 mm		8990T-K00-99
	PIVOT TABLE Black Fenix-laminate	FourUs® Booth 2 FourUs® Booth	85045

SOFT SEATING					
	PIVOT TABLE, RIGHT L: 1380 x B: 750 x H: 720 mm	FourUs® Work Booth			870GS-106
	PIVOT TABLE, LEFT L: 1380 x B: 750 x H: 720 mm				870GS-107
	TV BRACKET Option hidden cable	FourUs® Booth 2 FourUs® Booth FourUs® Work Booth			8100T-100-00
	CABLE MANAGEMENT TV Pre-drilled hole in wall for cables	FourUs® Booth 2 FourUs® Booth FourUs® Work Booth			
	CABLE MANAGEMENT STANDARD Fabric with velcro for concealing cable underneath the table	FourUs® Booth 2 FourUs® Booth FourUs® Work Booth			
ACOUSTIC					
	TABLE TOP (1 pcs. chair suspension) Colours: 08 Warm grey, 38 Antracit, 10 Black	InnoPod®	08 ● 38 ● 10 ●		62100
	TABLE TOP (1 pcs. chair suspension) Colours: 08 Warm grey, 38 Antracit, 10 Black	InnoPod®	08 ● 38 ● 10 ●		62101
	TABLE TOP (No chair suspension) Colours: 08 Warm grey, 38 Antracit, 10 Black	InnoPod®	08 ● 38 ● 10 ●		62103
	CS1 Chair suspension for FourCast2 Four, FourCast2 Line, FourSure 44, FourSure 88, FourSure 11, FourSure 99, Four Stools, Four Seating Benches	InnoPod®			23099-002-99
	CS2 Chair suspension for FourCast2 Wheeler, FourSure 66	InnoPod®			23099-003-99

Chair shell colours

 01 / SNOW RAL 9010	 14 / WHITE Fire Retardant RAL 9010	 02 / EBONY BLACK NCS S 9000-N	 03 / ANTHRACITE RAL 7015
 05 / AQUA NCS S 4020-B	 17 / PINE NCS S 5005-B80C	 18 / MOSS NCS S 5010-G70Y	 12 / TERRACOTTA NCS S 4510-Y60R
 13 / CLAY NCS S 6005-Y20R	 10 / BEACH NCS S 2502-Y	 09 / OLIVE NCS S 2040-G80Y	 08 / ORANGE NCS S 2070-Y70R
 07 / ORIENTAL RED NCS S 1580-R	 06 / JUNGLE GREEN NCS 4050-G40Y	 31 (03) / OAK	 32 (04) / OAK BLACK

Chair frame colours

 C (02) / MATT WHITE RAL 9010	 B (01) / MATT BLACK RAL 7021	 K (03) / STONE GREY RAL 7039	 9 / BLACK
 E / ANTHRACITE RAL 7024 gl.5	 M / AQUA S4020-B IGP 581 TA 52240 A 00	 D / PINE IGP 591 TA 79407 R10	 F / MOSS IGP 591 TA 64445 R10
 7 / TERRACOTTA IGP 591 TA 83991 R10	 A / CLAY IGP 591 TA 79406 R10	 T / BEACH IGP 681 TA 77644 A 00	 S / OLIVE RAL 7042 gl. 5
 N / ORANGE IGP 681 TA 21349 A 00	 Q / ORIENTAL RED IGP 581 TA 33080 A 00	 O / JUNGLE GREEN IGP 681 TA 64014 A 00	
 4 / ALUMINIUM	 5 / MAT CHROME	 6 / CHROME	
 P / OAK BLACK OILED	 V / OAK LACQUERED BLACK	 L / OAK OILED	 U / OAK CLEAR MATT LACQUERED

Share colours

SHARE SEAT/BACK COLOURS

 19 / DENIM NCS S 6020-B10G	 20 / CLARET NCS S 7010-R10B
 02 / EBONY BLACK NCS S 9000-N	 13 / CLAY NCS S 6005-Y20R
	 10 / BEACH NCS S 2502-Y

SHARE BACK COVER COLOURS



 19 / DENIM NCS S 6020-B10G	 20 / CLARET NCS S 7010-R10B	 21 / TEAL NCS S 5030-B10G	 22 / ROSE NCS S 2040-R20B
 02 / EBONY BLACK NCS S 9000-N	 13 / CLAY NCS S 6005-Y20R	 10 / BEACH NCS S 2502-Y	

Tabletops



 01 / WHITE W980 LAMINATE	 02 / LIGHT GREY EGGER U763 LAMINATE	 03 / GREY EGGER U732 LAMINATE
 04 / WHITE W980 DECOR	 05 / LIGHT GREY EGGER U763 DECOR	 06 / GREY EGGER U732 DECOR
 07 / WARM GREY ARPA FENIX NANO 0718	 08 / ANTRACIT ARPA FENIX NANO 0724	 09 / BLACK ARPA FENIX NANO 0720
 10 / BLACK 4023 LINOLEUM	 20 / WHITE COMPACT LAMINATE F2255	

FOUR MAT TABLE

 71 / MAPLE VENEER
 70 / BEECH VENEER

 72 / WALNUT VENEER
 79 / OAK VENEER








HARC TUB TABLE

 68 / BLACK LAMINATE
 43 / OAK LAMINATE

OUTDOOR TABLETOPS

 20 / WHITE COMPACT LAMINATE F2255	 57 / LIGHT GREY COMPACT LAMINATE F7927
--	---

Table frames

 C / MATT WHITE RAL 9010	 B / MATT BLACK RAL 7021	 K / STONE GREY RAL 7039
 E / ANTHRACITE RAL 7024 gL5	 6 / CHROME	 4 / ALUMINIUM
 V / OAK LACQUERED BLACK	 U / OAK CLEAR MATT LACQUERED	

OUTDOOR FRAMES

 H / WHITE SMOOTH	 J / WHITE ROUGH	 G / BLACK SMOOTH	 I / BLACK ROUGH
---	--	---	--

We reserve the right to change the standard surfaces / colours.

20% rabatt ska dras av på angivna priser

This is just a selection of the cover options available. We are able to source alternative fabrics. Please contact info@fourdesign.dk for details.

Disclaimer – This fabric can be used on the listed products, but we believe that a better finish can be achieved from other fabric selections.

Shade – Only certain shades of the fabric are appropriate for use on these products. Please contact us for details.

Sample – Our upholstery experts will sample the suitability of this material range upon request.

FABRIC SUPPLIERS:

www.camirafabrics.com, www.gabriel.dk, www.kvadrat.dk

InnoPod®

Band 1

Go Check, Main Line Flax, Main Line Plus, Patina, Step Melange

Band 2

Crisp, Europost2, Fame, Select, Chili, Nejma, Passion

Fabricks™

Band 3

Blazer Lite, *Blazer

Tessellate

Band 1: Tempt

Band 3: Blazer Lite

Band 5: Canvas

	Sustainability factor	Soft Seating/ RoomInRoom	Harc Tub High Back/FourLikes Meet 1400+700	Fully Upholstered FourCast/FourSure	FourMe	Seat & Inner Upholstered FourCast/FourSure
Band 1						
Aspect	Camira ♥ ♻️ ↓	Yes	Yes	Yes	Yes	Yes
Advantage	Camira ♥ ♻️	Yes	Yes	Yes	Yes	Yes
Atlas	Kvadrat ♥ ♻️	Yes	Shade	Shade	Shade	Shade
Canopy	Camira ♥ ♻️	Yes	FLM 700+1400 only	Yes	Yes	Yes
Clara 2	Kvadrat ♥ ♻️	Yes	Shade	Yes	Yes	Yes
Connect	Gabriel ♥ ♻️ ♻️ ↓	Yes	Yes	Yes	Yes	Sample
Cura	Gabriel ♥ ♻️ ♻️ ↓	Yes	SHADE	Yes	Yes	Yes
Era	Camira ♥ ♻️	Yes	Yes	Yes	Yes	Yes
Event	Gabriel ♥ ♻️	No	No	Yes	Yes	Sample
Felicity	Gabriel ♥ ♻️ ♻️ ↓	Yes	SHADE	Yes	Yes	No
Field 2	Kvadrat ♥ ♻️ ↓	Disclaimer	No	Disclaimer	Disclaimer	Yes
Go Check	Gabriel ♥ ♻️ ↓	Yes	SHADE	Yes	Yes	Yes
Go Couture	Gabriel ♥ ♻️ ↓	Yes	SHADE	Yes	Yes	Yes
Go Uni	Gabriel ♥ ♻️ ↓	Yes	SHADE	Yes	Yes	No
Gravity	Camira ♥ ♻️ ↓	No	No	Disclaimer	Disclaimer	Disclaimer
Halcyon Aspen	Camira ♥	Yes	No	Yes	No	No
Halcyon Blossom	Camira ♥	Yes	No	Yes	No	No
Halcyon Cedar	Camira ♥	Yes	No	Yes	No	No
Main Line Plus	Camira ♥ ♻️	Yes	Yes	Yes	Yes	Yes
Main Line Flax	Camira ♥ ♻️	Yes	Yes	Yes	Yes	Yes
Manila	Camira ♥ ♻️	Yes	No	Yes	No	No
Manhattan	Camira ♥ ♻️ ♻️ ↓	Yes	No	Yes	Yes	No
Patina	Camira ♥ ♻️	Yes	Yes	Yes	Yes	Yes
Phoenix	Camira ♥ ♻️	No	No	Disclaimer	Disclaimer	Disclaimer
Quest	Camira ♥ ♻️ ♻️ ↓	Yes	Yes	Yes	Yes	Yes
Repetto	Gabriel ♥ ♻️ ♻️ ↓	Yes	SHADE	Yes	Yes	No
Rivet	Camira ♥ ♻️ ♻️ ↓	No	No	Disclaimer	Disclaimer	Disclaimer
Step	Gabriel ♥ ♻️ ↓	Yes	Yes	Yes	Yes	Yes
Step Melange	Gabriel ♥ ♻️ ↓	Yes	Yes	Yes	Yes	Yes
Tempt	Gabriel ♥ ♻️ ↓	Yes	shade	Yes	Yes	No
Tonal	Gabriel ♥ ♻️ ♻️ ↓	Sample	Sample	Yes	Yes	Sample
Urban	Camira ♥ ♻️ ♻️ ↓	No	No	No	No	No
Vita Vinyl	Camira ♥ ♻️	Yes	Sample	Yes	No	Yes
Valencia	Spradling ♥ ♻️	Yes	Harc Tub only	Yes	No	Yes
Xtreme	Camira ♥ ♻️ ♻️ ↓	Yes	Yes	Yes	Yes	Yes
Band 2						
Aquarius	Camira ♥ ♻️ ♻️ ↓	Yes	Yes	Yes	Yes	No
Blazer*	Camira ♥ ♻️ ♻️ ↓	Yes	Yes	Yes	Yes	Yes
Chili	Gabriel ♥ ♻️ ♻️ ↓	Yes	Yes	Yes	Yes	Yes
Contour	Gabriel ♥ ♻️	Sample	Sample	Sample	Sample	No
Crisp	Gabriel ♥ ♻️	Yes	Yes	Yes	Yes	Yes
Deca	Camira ♥ ♻️	Yes	No	Sample	No	No
Europost 2	Gabriel ♥ ♻️ ♻️ ↓	Yes	No	Yes	Yes	Yes
Fame	Gabriel ♥ ♻️	Yes	Yes	Yes	Yes	Yes
Fame Hybrid	Gabriel ♥ ♻️	Yes	Yes	Yes	Yes	Yes
Harmony	Gabriel ♥ ♻️	Yes	Yes	Yes	Yes	Yes
Hi-Tech	Camira ♥ ♻️	No	No	Sample	Sample	Sample
Honeycomb	Camira ♥ ♻️ ♻️ ↓	Yes	No	No	No	No
Hemp	Camira ♥ ♻️ ♻️ ↓	Yes	Yes	Yes	Yes	No
Intervene Plain	Camira ♥ ♻️ ♻️ ♻️ ↓	Yes	No	Yes	No	No
Intervene Texture	Camira ♥ ♻️ ♻️ ♻️ ↓	Yes	No	Yes	No	No
Just	Gabriel ♥ ♻️ ♻️ ↓	Sample	Sample	Yes	Yes	Sample
Kyoto	Camira ♥ ♻️	Square units	No	No	No	No
Landscape Balance	Camira ♥ ♻️	Yes	Sample	Yes	Yes	No
Landscape Contact	Camira ♥ ♻️	Yes	Sample	Yes	Yes	No
Medley	Gabriel ♥ ♻️	Yes	Yes	Yes	Yes	Yes
Noma	Gabriel ♥ ♻️ ♻️ ↓	Yes	Yes	Yes	Yes	Yes
Oxygen (MOQ)	Camira ♥ ♻️ ♻️ ↓	Yes	Yes	Yes	Yes	No
Oceanic	Camira ♥ ♻️ ♻️ ↓	Yes	Sample	Yes	Yes	Sample
Passion	Gabriel ♥ ♻️	Yes	Yes	Yes	Yes	Yes
Regent (MOQ)	Camira ♥ ♻️	Yes	No	No	No	No

	Sustainability factor	Soft Seating/ RoomInRoom	Harc Tub High Back/FourLikes Meet 1400+700	Fully Upholstered FourCast/FourSure	FourMe	Seat & Inner Upholstered FourCast/FourSure
Band 2 (cont)						
Remix	Kvadrat ♥ ♻️	Yes	Yes	Yes	Yes	Yes
Rhythm	Gabriel ♥ ♻️	No	No	No	No	No
Runner	Gabriel ♥ ♻️ ↓	No	No	No	No	Yes
Select	Gabriel ♥ ♻️	Yes	Yes	Yes	Yes	Yes
Savoy	Gabriel ♥ ♻️ ↓	Yes	No	No	No	No
Silk	Camira ♥ ♻️ 🌿 ↓	Yes	Yes	Yes	Yes	Yes
Sumi	Camira ♥ ♻️	Yes	Yes	Yes	Yes	Yes
Synergy	Camira ♥ ♻️ ♻️	Yes	Yes	Yes	Yes	Yes
Track	Camira ♥ ♻️ ↓	Yes	No	No	No	No
X2	Camira ♥ ♻️ ♻️ ↓	Yes	Yes	Yes	Yes	Yes
Yoredale	Camira ♥	Yes	Yes	Yes	Yes	Yes
24/7 +	Camira	Sample	Sample	Yes	Yes	Yes
24/7 Flax	Camira ♥ ♻️	Yes	Yes	Yes	Yes	Yes
Band 3						
Armadillo	Camira ♥ ♻️	Yes	Yes	Yes	Yes	No
Atlantic	Gabriel ♥ ♻️	Yes	Shade	Yes	Yes	Yes
Bond	Gabriel ♥ ♻️ ♻️ ↓	Yes	Yes	Yes	Yes	Sample
Breeze & Breeze Fus.	Gabriel ♥ ♻️	Yes	Yes	Yes	Yes	Yes
Hebden (MOQ)	Camira ♥ ♻️ 🌿	Yes	Yes	Yes	Yes	No
Illusion	Nevotex ♥	Yes	Sample	Yes	Yes	Yes
Individuo	Camira ♥ ♻️	Yes	Yes	Yes	Yes	No
Mainline Flax Stripe	Camira ♥ ♻️ 🌿	Yes	Sample	Yes	Yes	No
Gaja Classic	Gabriel ♥ ♻️	Yes	Yes	Yes	Yes	Yes
Rondo	Gabriel ♥ ♻️ ♻️ ↓	Yes	Shade	Yes	Yes	Sample
Melange Nap	Kvadrat ♥ ♻️	Yes	Shade	Yes	Yes	Shade
Re-wool	Kvadrat ♥ ♻️ 🌿 ↓	Yes	Yes	Yes	Yes	Yes
Zap	Camira ♥ ♻️	Yes	Yes	Yes	Yes	No
Band 4						
Capture	Gabriel ♥ ♻️	Yes	Yes	Yes	Yes	Yes
Craggan Flax	Camira ♥ ♻️	Yes	Harc Tub only	Yes	Yes	No
Divina Melange 2	Kvadrat ♥ ♻️ 🌿	Yes	Yes	Yes	Yes	Yes
Mood	Gabriel ♥ ♻️	Yes	Harc Tub only	Sample	Sample	Sample
Nettle- Aztec	Camira ♥ ♻️	Yes	Harc Tub only	Yes	Yes	No
Silvertex	Camira	Yes	Yes	Yes	Yes	Yes
Band 5						
Canvas 2	Kvadrat ♥ ♻️	Yes	Shade	Shade	Shade	Shade
Criss Cross	Gabriel ♥ ♻️	Yes	Sample	Yes	Yes	No
Fiord	Kvadrat ♥ ♻️	Yes	Yes	Yes	Yes	Yes
Morph	Gabriel ♥ ♻️	Sample	Sample	Sample	Sample	Sample
Revive 1	Kvadrat ♥ ♻️ ♻️ ↓	Yes	Yes	Yes	Yes	Yes
Steelcut 2	Kvadrat ♥ ♻️	Yes	Yes	Yes	Yes	Yes
Steelcut Trio 3	Kvadrat ♥ ♻️	Yes	Yes	Yes	Yes	Yes
Band 6						
Hallingdal 65	Kvadrat ♥ ♻️	Yes	Yes	Yes	Yes	Yes
Band 7						
Luna 2	Gabriel ♥ ♻️	Yes	Yes	Yes	Yes	No
Revolution	Camira	Yes	Yes	Yes	Yes	Yes
Vintage L	Camira	Yes	Harc Tub only	Yes	No	Yes
Divina 3	Kvadrat ♥ ♻️ 🌿	Yes	Yes	Yes	Yes	Yes
Band 8						
Black leather		Yes	Yes	Yes	Yes	Yes
Band 10						
Leather, coloured		Yes	Yes	Yes	Yes	Yes

♥	People Certification	Certified for low VOC i.e. Oeko-tex, Greenguard Gold, Indoor Air Quality etc.
♻️	Planet Certification	Certified for low environmental impact i.e. Ecolabel, Cradle-to-cradle etc.
♻️	Recycled materials	Using either post-industrial or post-consumer recycled fibres. Using less energy and resources whilst resolving a potential waste issue.
🌿	100% Natural material	Natural fibres like wool and hemp are naturally fire retardant and therefore may not need added FR chemicals (depending on requirements).
↓	Less resource intensive	Materials that use less water, energy or chemicals within production.