

22% rabatt ska dras av på angivna priser



A - Arbetsplats och förvaring

Arper

22%



22% rabatt ska dras av på angivna priser



Våra kontor

Borlänge

Borganäsvägen 16
784 33 Borlänge

+46 (0)243 882 70
borlange@inputinterior.se

Borås

Olovsholmsgatan 25
506 34 Borås

+46 (0)33 21 11 00
boras@inputinterior.se

Göteborg

Fältpatsgatan 2
421 30 Västra Frölunda

+46 (0)31 799 89 00
goteborg@inputinterior.se

Halmstad

Svartalundsvägen 6
302 35 Halmstad

+46 (0)35 295 85 00
halmstad@inputinterior.se

Helsingborg

Muskötgatan 4B
254 66 Helsingborg

+46 (0)42 444 96 30
helsingborg@inputinterior.se

Jönköping

Huskvarnavägen 64
554 54 Jönköping

+46 (0)36 585 95 30
jonkoping@inputinterior.se

Kalmar

Engelska vägen 5
392 39 Kalmar

+46 (0)480 578 00
kalmar@inputinterior.se

Karlskrona

Blekingegatan 6A
371 34 Karlskrona

+46 (0)455 68 88 20
karlskrona@inputinterior.se

Karlstad

Blockgatan 10
653 41 Karlstad

+46 (0)54 775 66 60
karlstad@inputinterior.se

Kinna

Boråsvägen 17
511 56 Kinna

+46 (0)320 20 90 30
kinna@inputinterior.se

Kristianstad

Västra Storgatan 51K
291 31 Kristianstad

+46 (0)44 785 08 40
kristianstad@inputinterior.se

Linköping

Gottorpsgatan 57
581 19 Linköping

+46 (0)13 36 44 50
linkoping@inputinterior.se

Luleå

Bangårdsgatan 14
972 75 Luleå

+46 (0)920 46 64 30
lulea@inputinterior.se

Malmö

Flygplansgatan 9
212 39 Malmö

+46 (0)40 20 66 00
malmo@inputinterior.se

Norrköping

Västgötegatan 13B
602 21 Norrköping

+46 (0)11 440 94 00
norrkoping@inputinterior.se

Skellefteå

Brogatan 3
931 62 Skellefteå

+46 (0)910 48 84 60
skelleftea@inputinterior.se

Skövde

Gustav Adolfs gata 31
541 45 Skövde

+46 (0)500 77 93 80
skovde@inputinterior.se

Stockholm

Sveavägen 145
113 46 Stockholm

+46 (0)8 517 112 00
stockholm@inputinterior.se

Sundsvall

Strandgatan 14
852 31 Sundsvall

+46 (0)60 52 50 10
sundsvall@inputinterior.se

Uppsala

Sjukhusvägen 3
753 09 Uppsala

+46 (0)18 430 53 04
 uppsala@inputinterior.se

Umeå

Björnvägen 19
906 40 Umeå

+46 (0)90 34 00 160
umea@inputinterior.se

Västerås

Metallverksgatan 4B
721 30 Västerås

+46 (0)21 80 30 30
vasteras@inputinterior.se

Växjö

Södra Vallviksvägen 10
352 51 Växjö

+46 (0)470 79 37 00
vaxjo@inputinterior.se

Örebro

Radiatorvägen 2
702 27 Örebro

+46 (0)19 767 35 80
orebro@inputinterior.se

Norden

Se inputinterior.se för
våra kontor i Danmark,
Finland och Norge.

22% rabatt ska dras av på angivna priser

PANELS

22% rabatt ska dras av på angivna priser

Panels

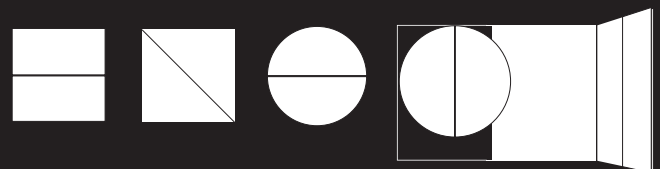
Panels Arper Grade	Supplier	Collection	Upholstery Code	Program
A	Camira	Era	ER	Graded In
A	Camira	Phoenix	PH	Carded In
A	FiDiVi.	Jet	JE	Carded In
A	Gabriel	Fighter	FH	Graded In
B	Camira	Urban	UP	Carded In
B	Camira	Xtreme	XP	Graded In
B	Gabriel	Atlantic	AT	Graded In
B	Gabriel	Medley	MY	Graded In
B	Gabriel	Step	S1	Graded In
B	Gabriel	Step Melange	SM	Graded In
B	Kvadrat	Field 2	FI	Carded In
B	Kvadrat	Revive 1	R1	Carded In
C	Camira	Main Line Flax	MF	Carded In
C	Camira	Synergy	SN	Carded In
C	Gabriel	Fame	FA	Graded In
C	Kvadrat	Floyd	F1	Carded In
C	Kvadrat	Remix 3	RX	Carded In
D	Gabriel	Crisp	CR	Graded In
D	Kvadrat	Canvas 2	CV	Carded In
D	Kvadrat	Clara 2	CL	Graded In
D	Maharam	Messenger	MS	Carded In
E	Camira	Blazer	BL	Graded In
E	Kvadrat	Re-wool	RW	Carded In
F	Kvadrat	Fiord 2	FD	Carded In
F	Kvadrat	Rime	RI	Carded In
F	Kvadrat	Tonus 4	T3	Carded In
G	Kvadrat	Divina 3	DV	Carded In
G	Kvadrat	Divina MD	DI	Carded In
G	Kvadrat	Divina Melange 3	DM	Carded In
G	Kvadrat	Savanna	SA	Graded In
G	Kvadrat	Steelcut 2	SE	Carded In
G	Kvadrat	Steelcut Trio 3	ST	Carded In
G (*)	Kvadrat	Hallingdal 65	HA	Carded In
I	Kvadrat	Tonica 2	TN	Graded In
COM		COM	COM	

(*) The Hallingdal 65 fabric is suitable only for Parentesit Wall Collection

22% rabatt ska dras av på angivna priser

PARENTESIT

Design by
Lievore Altherr Molina
2015



22% rabatt ska dras av på angivna priser

Parentesit

Collection overview

Wall Panel



Square version
one colour or two colours
version, with horizontal insert

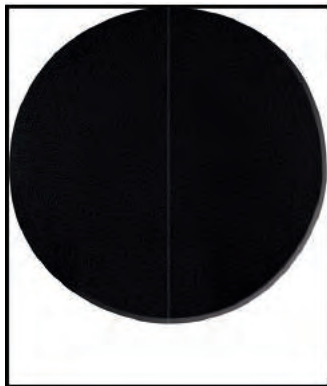


Square version
one color or two colors version,
with diagonal insert

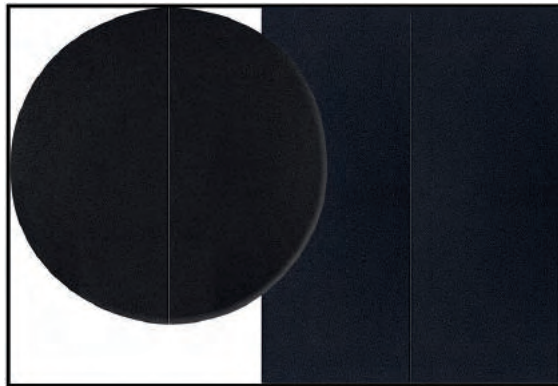


Round version
one color or two colors version,
with central insert

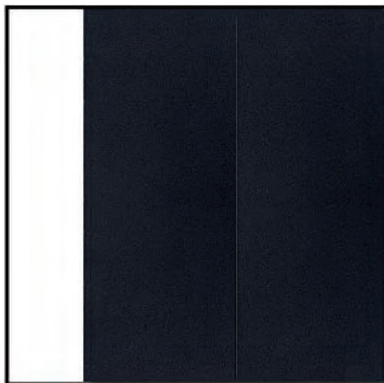
Freestanding



Freestanding module made up of
a round panel upholstered in one
color fabric on a matt black metal
base.



Freestanding module made up of a round and a square
panel upholstered in one color fabric, with the choice of
a different color for one panel, and resting on a matt black
metal base.



Freestanding module made up of a square panel
upholstered in one color fabric on a matt black base.

22% rabatt ska dras av på angivna priser

Parentesit Wall Panel

The primary forms of Parentesit can be arranged to articulate graphic patterns adaptable to any environment.

The positions of the panels can further be assembled into different orientation options that extend the geometric visual language into compositions of parallel, perpendicular, or diagonal lines. All orientations of Parentesit can be determined in the installation process and, with only few tools required, can mount onto any wall surface. Minimal in form, minimal in effort.

The central aesthetic profile is available in the following colours:

- V12 (White Matt)
- V39 (Black Matt)

Warranty: 2 years

The Parentesit Wall Panel is available with three options for embedded functionality.

1 Sound Absorbing:

an acoustic panel version is made from certified sound absorbing materials for when quiet space is needed.

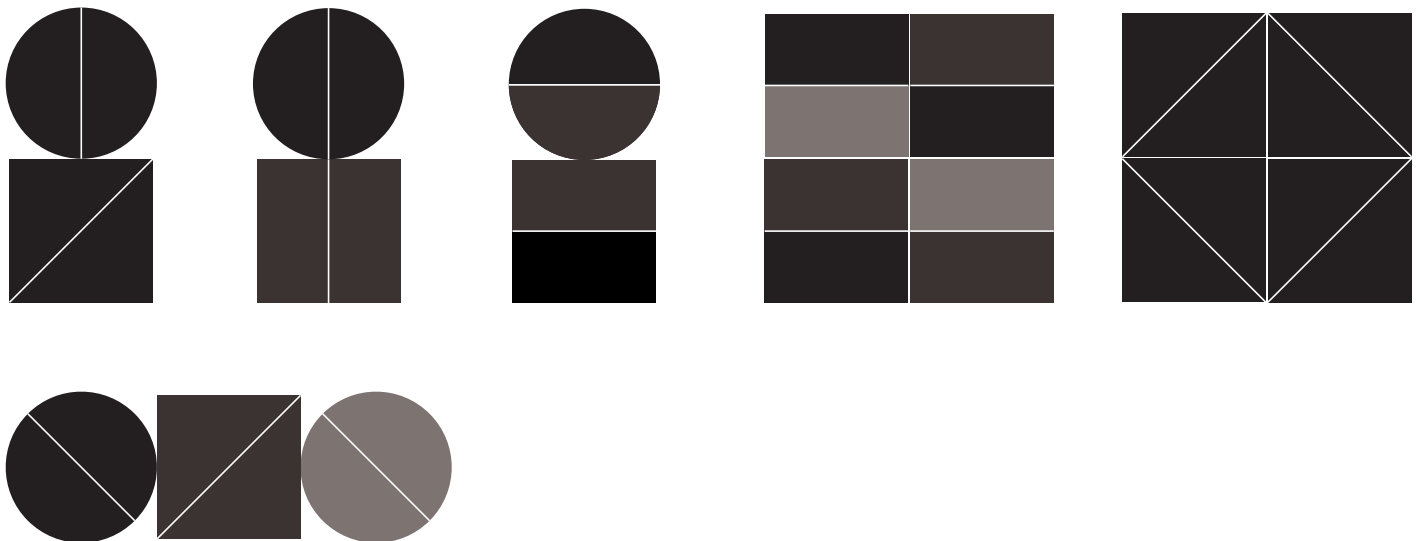
2 Light:

a switch-operated, built-in light-enabled version enhances visual impact.

3 Audio + Light:

light-and-audio-enabled version with dimmer switch is manageable via dedicated app.dedicata (downloadable from App Store and Google Play).

Composition examples



22% rabatt ska dras av på angivna priser

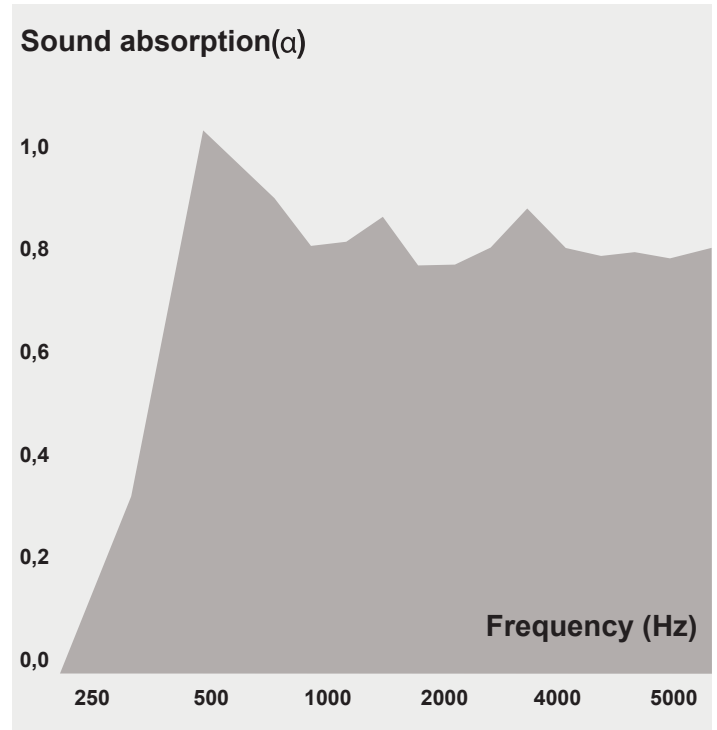
Parentesit Wall Panel

The sound absorbing Parentesit Wall Panel is made from an internal panel that has been tested and certified for its superior performance in absorbing ambient sound. In the testing process, to maximize the effectiveness of the sound absorbing Parentesit Wall Panel, upholstery options are available in fabrics that help to muffle sound, giving additional protection against environmental noise and increased opportunity for quiet, uninterrupted work.

1 The internal panel was tested in a controlled echo chamber according to the UNI EN ISO 354 standard. The results shown here indicate absorption coefficients for every frequency tested, demonstrating the efficacy of Parentesit to reduce noise under a broad range of frequencies.

2 According to the industry standard used to classify sound absorbing material, ISO 11654, the values of sound absorbing coefficients are expressed by α . This table shows the sound absorbing curves classified in classes from A to E, where A is the best.

Note: The sound absorbing characteristics are lost if it is upholstered with non breathable materials.



Example diagram

1

2

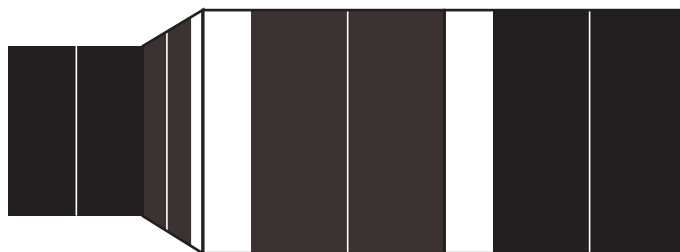
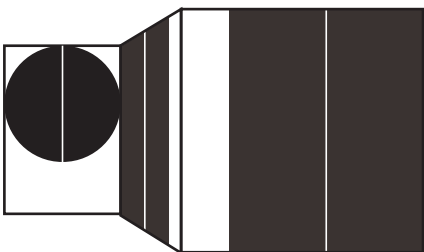
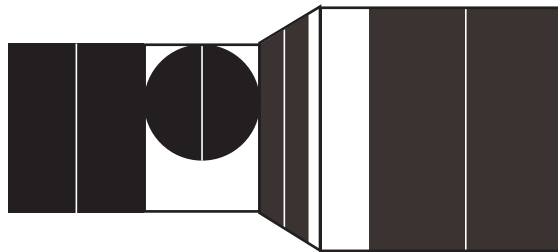
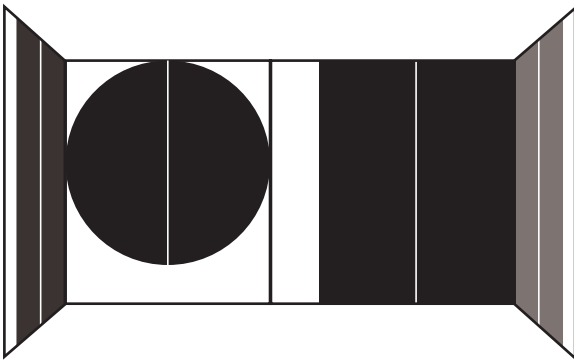
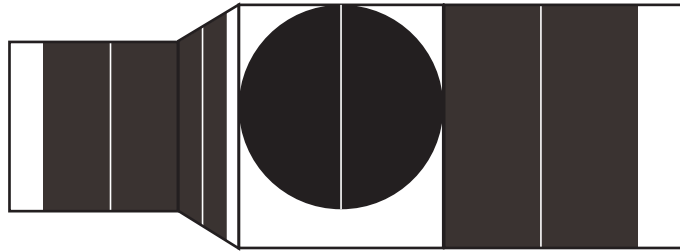
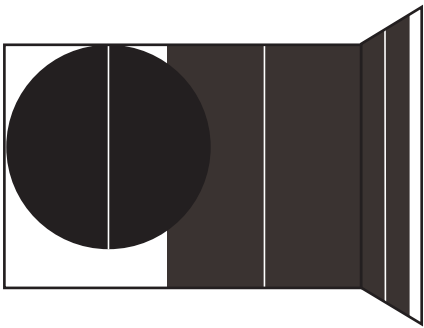
Sound absorption (α)	Sound absorption (α)	Sound absorption (α)
0,90	0,85	0,75
Fabrics: Jet Hallingdal 65 Tonus 4	Fabrics: Field 2 Revive 1 Remix 2	Fabrics: Canvas 2 Divina 3 Divina MD Divina Melange 2 Steelcut 2 Steelcut Trio 3
Absorption Class	Absorption Class	Absorption Class
A	B	C

22% rabatt ska dras av på angivna priser

Parentesit Freestanding

A private enclosure for collaborative work contexts. Freestanding Parentesit creates a retreat for individual, focused work or collaborative group discussions. Four versions — inset little circle, big circle, square, or circle and square combination — are each given structure and substance by a supportive frame. These modular pieces can be combined to create graphic expressions of archetypal forms or customized with color to generate bold compositions that articulate space and define shelter.

Composition examples

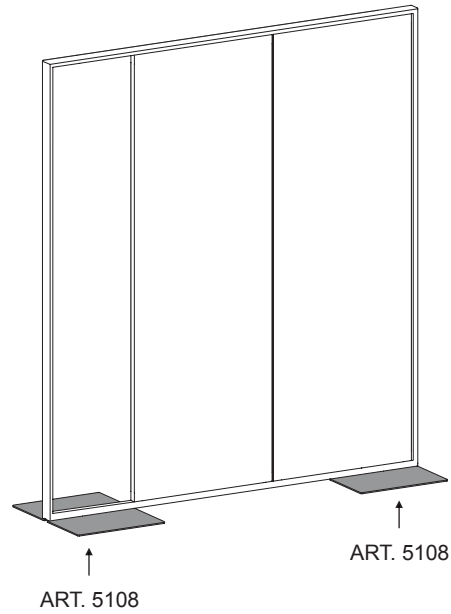


22% rabatt ska dras av på angivna priser

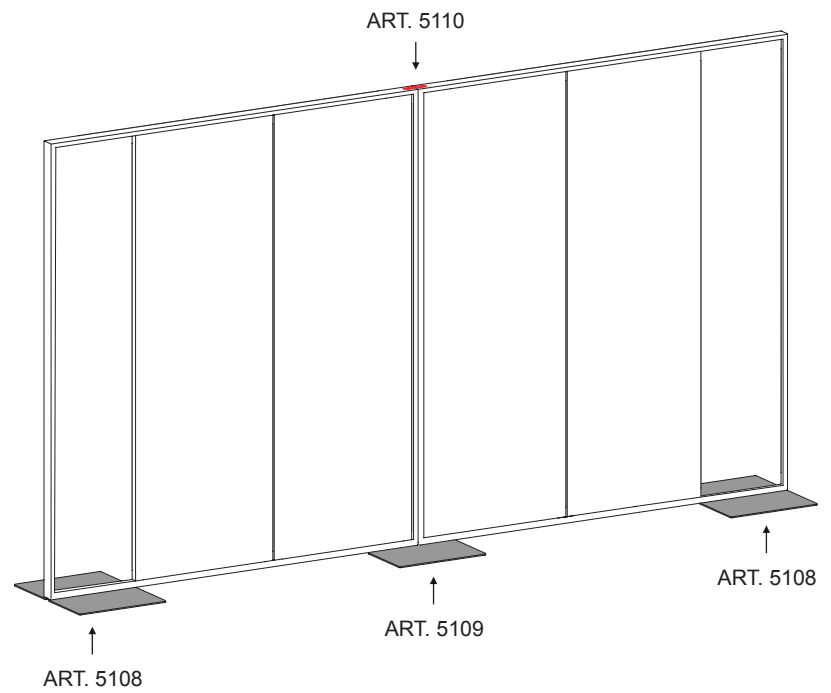
Parentesit Freestanding

Correct usage of plates and links

SINGLE MODULE



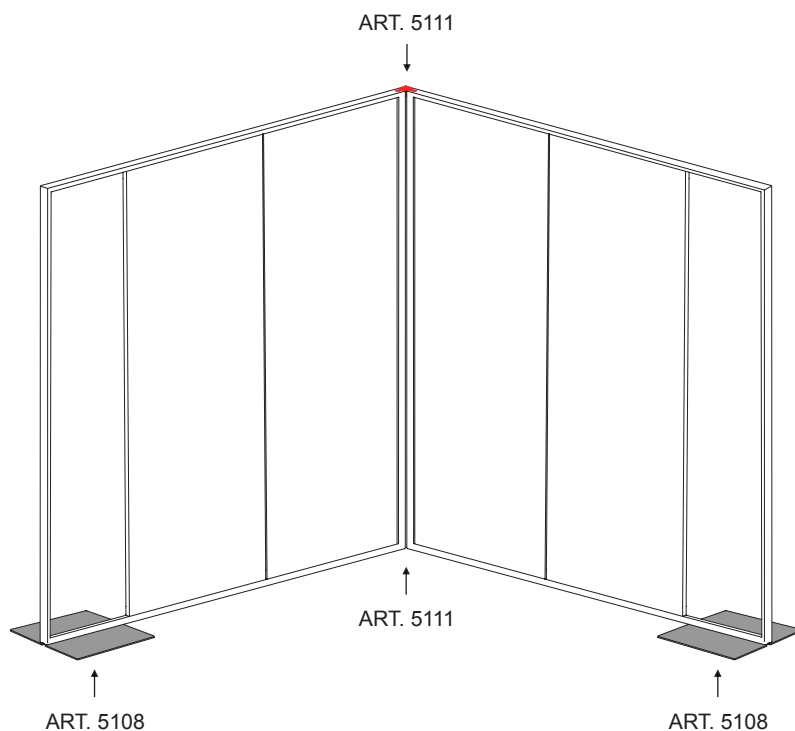
LINEAR MODULES



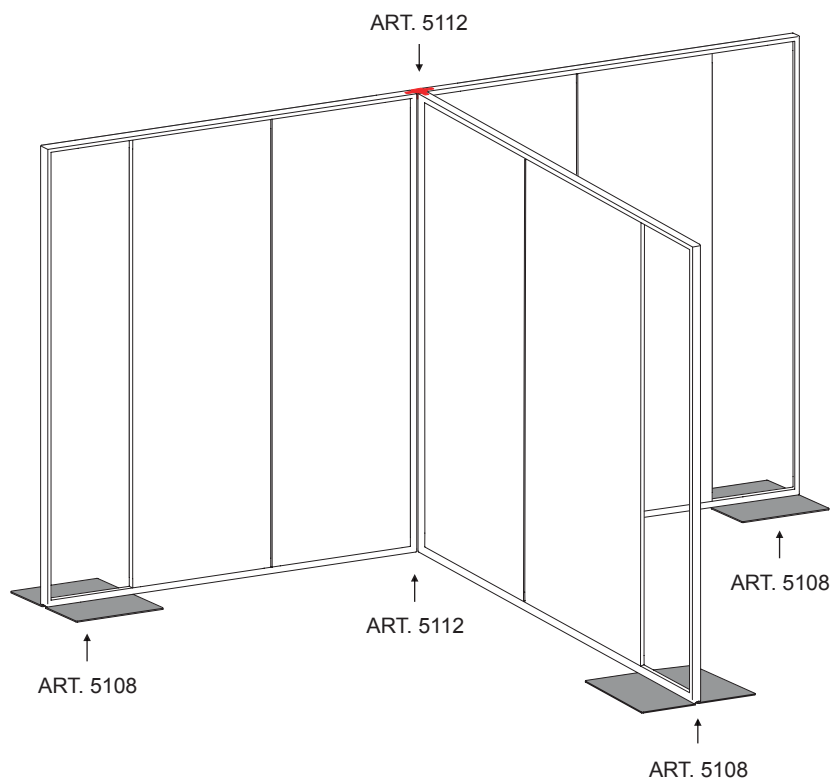
22% rabatt ska dras av på angivna priser

Parentesit Freestanding

"L" MODULES



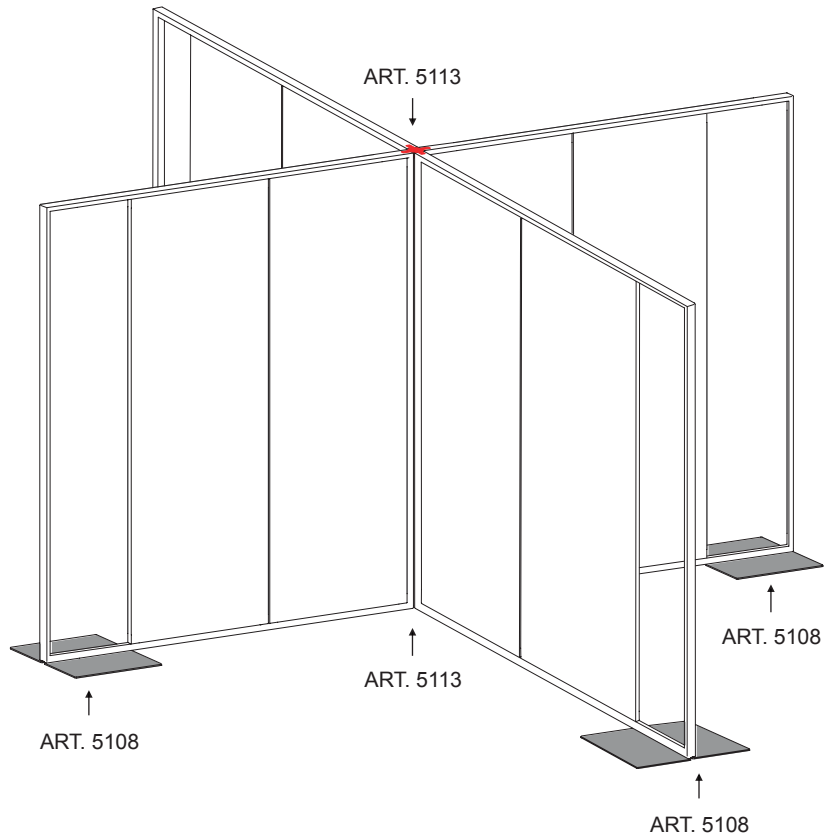
"T" MODULES



22% rabatt ska dras av på angivna priser

Parentesit Freestanding

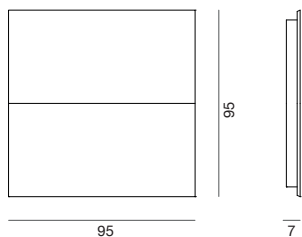
“+” MODULES



22% rabatt ska dras av på angivna priser

Parentesit Wall Panel

Design by Lievore Altherr Molina, 2015



Decorative modular wall panel that is sound-absorbent and can be accessorised with a light, or audio + light system. Dimensions: 95 x 95 cm, available in one colour or two colours version, with horizontal insert (white or black). Electric cable not included.

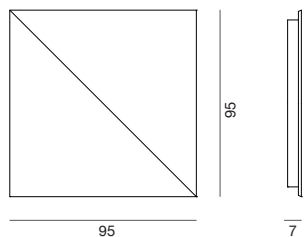
SEK ART. 5100	A	B COM	C	D	E	F	G	H	I	J	K	L	M
Upholstered with a single material in one color	8054	8485	8916	9347	9778	10209	10640	11071	11502	11933	12364	12795	13226
Upholstered with a single material in two colors	+ 95	+ 158	+ 221	+ 284	+ 347	+ 410	+ 473	+ 536	+ 599	+ 662	+ 725	+ 788	+ 851
Optional LED light + speaker	+ 7056												
Optional LED light	+ 3297												

SHIPMENT DETAILS	TECHNICAL SPECIFICATIONS	RESISTANCE TEST
Art. 5100 1 pz = 1 - kg 14/ m³ 0,205 1 pz = 1 - kg 16,5/ m³ 0,205 1 pz = 1 - kg 16,8/ m³ 0,205 1 pz = 1 - kg 17,5/ m³ 0,205	Art.5100 H 140 cm, COM Meterage m 1.38 Acoustic performance: Sound absorption coefficient "A" pursuant to the ISO 11654 standard = equivalent sound absorption area for sound-absorbing packet in m2 * Contact the company for specific data = Sound Absorption Area per each type of panel Electrical/Audio/Lighting system: CE-marked product. The product has undergone very strict tests and obtained the most important European and international certifications.	
FIRE RETARDANT TEST		

22% rabatt ska dras av på angivna priser

Parentesit Wall Panel

Design by Lievore Altherr Molina, 2015



Decorative modular wall panel that is sound-absorbent and can be accessorised with a light, or audio + light system. Dimensions: 95 x 95 cm, available in one color or two colors version, with diagonal insert (white or black). Electric cable not included.

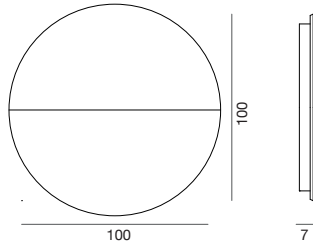
SEK ART. 5101	A	B COM	C	D	E	F	G	H	I	J	K	L	M
Upholstered with a single material in one color	8043	8421	8799	9177	9555	9933	10311	10689	11067	11445	11823	12201	12579
Upholstered with a single material in two colors	+ 525	+ 893	+ 1261	+ 1629	+ 1997	+ 2365	+ 2733	+ 3101	+ 3469	+ 3837	+ 4205	+ 4573	+ 4941
Optional LED light + speaker	+ 7056												
Optional LED light	+ 3297												

SHIPMENT DETAILS	TECHNICAL SPECIFICATIONS	RESISTANCE TEST
Art. 5101 1 pz = 1 - kg 14,5/ m³ 0,205 1 pz = 1 - kg 17/ m³ 0,205 1 pz = 1 - kg 17,3/ m³ 0,205 1 pz = 1 - kg 18/ m³ 0,205	Art.5101 H 140 cm. COM Meterage m 1.23 Acoustic performance: Sound absorption coefficient "A" pursuant to the ISO 11654 standard = equivalent sound absorption area for sound-absorbing packet in m2 * Contact the company for specific data = Sound Absorption Area per each type of panel Electrical/Audio/Lighting system: CE-marked product. The product has undergone very strict tests and obtained the most important European and international certifications.	
FIRE RETARDANT TEST		

22% rabatt ska dras av på angivna priser

Parentesit Wall Panel

Design by Lievore Altherr Molina, 2015



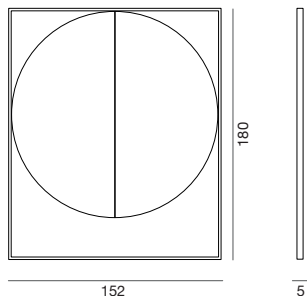
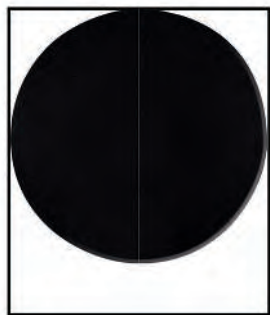
Decorative modular wall panel that is sound-absorbent and can be accessorised with a light, or audio + light system. Dimensions: Ø 100 cm, available in one color or two colors version, with central insert (white or black). Electric cable not included.

SEK ART. 5102	A	B COM	C	D	E	F	G	H	I	J	K	L	M
Upholstered with a single material in one color	8201	8653	9105	9557	10009	10461	10913	11365	11817	12269	12721	13173	13625
Upholstered with a single material in two colors	+ 32	+ 116	+ 200	+ 284	+ 368	+ 452	+ 536	+ 620	+ 704	+ 788	+ 872	+ 956	+ 1040
Optional LED light + speaker	+ 6615												
Optional LED light	+ 2856												

SHIPMENT DETAILS	TECHNICAL SPECIFICATIONS	RESISTANCE TEST
Art. 5102 1 pz = 1 - kg 13/ m³ 0,205 1 pz = 1 - kg 15,5/ m³ 0,205 1 pz = 1 - kg 15,8/ m³ 0,205 1 pz = 1 - kg 16,8/ m³ 0,205	Art.5102 H 140 cm, COM Meterage m 1.35 Acoustic performance: Sound absorption coefficient "A" pursuant to the ISO 11654 standard = equivalent sound absorption area for sound-absorbing packet in m2 * Contact the company for specific data = Sound Absorption Area per each type of panel Electrical/Audio/Lighting system: CE-marked product. The product has undergone very strict tests and obtained the most important European and international certifications.	
FIRE RETARDANT TEST		

22% rabatt ska dras av på angivna priser

Parentesit



Design by Lievore Altherr Molina, 2016

Freestanding module made up of a round panel upholstered in one color fabric on a matt black metal base. The internal decorative panel as sound absorption features, it is also available in two color upholstery with a surcharge. Fixing plate and connection kit are supplied separately for the creation of modular compositions.

Accessories:

Link kit for "+" modules Art. 5113
Plate single junction Art. 5109

Link kit for "L" modules Art. 5111
Standard single plate Art. 5108

Link kit for "T" modules Art. 5112

Link kit for linear modules Art. 5110

SEK ART. 5105	A	B COM	C	D	E	F	G	H	I	J	K	L	M
Upholstered with a single material in just one color	20318	21599	22880	24161	25442	26723	28004	29285	30566	31847	33128	34409	35690
Upholstered with a single material in two colors: surcharge	+ 420	+ 693	+ 966	+ 1239	+ 1512	+ 1785	+ 2058	+ 2331	+ 2604	+ 2877	+ 3150	+ 3423	+ 3696
Set of glides for single pannel	+ 2090												

SHIPMENT DETAILS	TECHNICAL SPECIFICATIONS	RESISTANCE TEST
Art. 5105 1 pz = 3 - kg 39,7/ m³ 0,177 1 pz = 4 - kg 58,7/ m³ 0,184 	Art.5105 H 140 cm. COM Meterage m 9.81	
FIRE RETARDANT TEST		

Frame Base

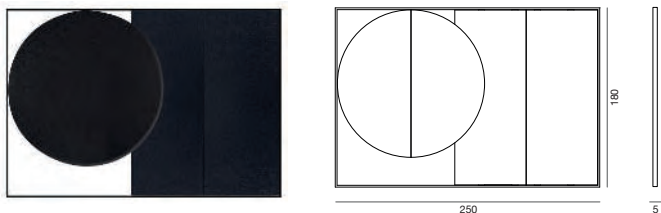


V39
matt

22% rabatt ska dras av på angivna priser

Parentesit

Design by Lievore Altherr Molina, 2016



Freestanding module made up of a round and a square panel upholstered in one color fabric, with the choice of a different color for one panel, and resting on a matt black metal base. The internal decorative panels have sound absorption features. Fixing plate and connection kit are supplied separately for the creation of modular compositions.

Accessories:

Link kit for "+" modules Art. 5113
Plate single junction Art. 5109

Link kit for "L" modules Art. 5111
Standard single plate Art. 5108

Link kit for "T" modules Art. 5112

Link kit for linear modules Art. 5110

SEK ART. 5106	A	B COM	C	D	E	F	G	H	I	J	K	L	M
Upholstered with a single material in one/two colors	34987	37486	39985	42484	44983	47482	49981	52480	54979	57478	59977	62476	64975
Set of glides for single pannel	+ 2090												

SHIPMENT DETAILS	TECHNICAL SPECIFICATIONS	RESISTANCE TEST
Art. 5106 1 pz = 3 - kg 59/ m² 0,35 1 pz = 4 - kg 88/ m² 0,199 	Art.5106 H 140 cm. COM Meterage m 8.62	
FIRE RETARDANT TEST		

Frame Base

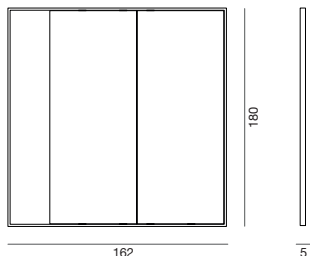
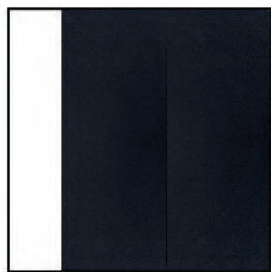


V39
matt

22% rabatt ska dras av på angivna priser

Parentesit

Design by Lievore Altherr Molina, 2016



Freestanding module made up of a square panel upholstered in one color fabric on a matt black metal base. The internal decorative panel as sound absorption features, it is also available in two color upholstery with a surcharge. Fixing plate and connection kit are supplied separately for the creation of modular compositions.

Accessories:

Link kit for "+" modules Art. 5113
Plate single junction Art. 5109

Link kit for "L" modules Art. 5111
Standard single plate Art. 5108

Link kit for "T" modules Art. 5112

Link kit for linear modules Art. 5110

SEK ART. 5107	A	B COM	C	D	E	F	G	H	I	J	K	L	M	
Upholstered with a single material in just one color	19972	21190	22408	23626	24844	26062	27280	28498	29716	30934	32152	33370	34588	
Upholstered with a single material in two colors: surcharge	+ 32	+ 53	+ 74	+ 95	+ 116	+ 137	+ 158	+ 179	+ 200	+ 221	+ 242	+ 263	+ 284	
Set of glides for single pannel	+ 2090													

SHIPMENT DETAILS	TECHNICAL SPECIFICATIONS	RESISTANCE TEST
Art. 5107 1 pz = 3 - kg 46/ m² 0,166 1 pz = 4 - kg 65/ m² 0,173 	Art.5107 H 140 cm. COM Meterage m 8.12	
FIRE RETARDANT TEST		

Frame Base

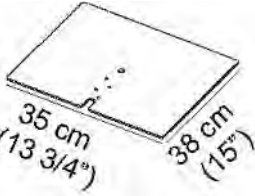
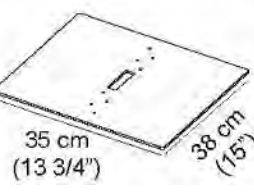
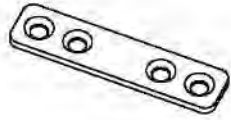
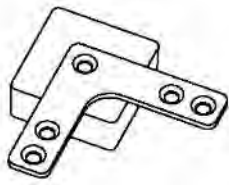
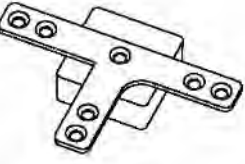
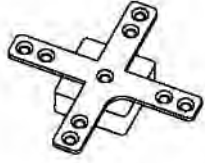






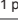

V39
matt

22% rabatt ska dras av på angivna priser

Accessories

Design by Lievore Altherr Molina, 2016

<p>SEK ART. 5108</p>  <p>35 cm (13 3/4") 38 cm (15")</p> <p>Standard single plate</p> <p>1050</p>	<p>SEK ART. 5109</p>  <p>35 cm (13 3/4") 38 cm (15")</p> <p>Plate single junction</p> <p>1050</p>	<p>SEK ART. 5110</p>  <p>Link kit for linear modules</p> <p>588</p>	<p>SEK ART. 5111</p>  <p>Link kit for "L" modules</p> <p>588</p>	<p>SEK ART. 5112</p>  <p>Link kit for "T" modules</p> <p>588</p>
<p>SEK ART. 5113</p>  <p>Link kit for "+" modules</p> <p>588</p>				

SHIPMENT DETAILS		TECHNICAL SPECIFICATIONS	
Art. 5108	1 pz = 1  - kg 9/ m³ 0,07	Art. 5109	1 pz = 1  - kg 9/ m³ 0,07
Art. 5110	1 pz = 1  - kg 1/ m³ 0,004	Art. 5111	1 pz = 1  - kg 1/ m³ 0,004
Art. 5112	1 pz = 1  - kg 1/ m³ 0,004	Art. 5113	1 pz = 1  - kg 1/ m³ 0,004
FIRE RETARDANT TEST			