

## STATLIGT RAMAVTAL - MÖBLER & INREDNING

DELOMRÅDE - Arbetsplats och förvaring - Avtalsnummer 23.3-8004-18:052

### Arper - Produktlista nr 2



20 % rabatt ska dras av på angivna priser.

Kinnarps AB  
521 88 Kinnarp  
Tel 0515-38 000  
www.kinnarps.se  
Kinnarps Interior - Showrooms

E-postadress för avrop:  
avrop.kammarkollegiet@kinnarps.se

Kontakt avtalsfrågor:  
Upphandlingsgruppen 08-53691191

Alingsås	Kristineholmsvägen 12 441 39 ALINGSÅS tel. 0322-66 85 85	Karlstad	Körkarlsvägen 5 653 46 KARLSTAD tel. 054-22 38 80	Stockholm	Fannys Väg 5 131 54 NACKA tel. 08-556 910 00
Arvika	Blästervägen 3 671 41 ARVIKA tel. 0570-71 17 70	Kiruna	Triangelvägen 2 981 38 KIRUNA tel. 0980-804 00	Sundsvall	Tegelvägen 18 853 50 SUNDSVALL tel. 060-17 46 40
Borås	Företagsgatan 14 (Viared) 504 94 BORÅS tel. 033-44 73 73	Kristianstad	Karlsgratan 45 291 59 KRISTIANSTAD tel. 044-10 10 10	Södertälje	Hantverksvägen 10 151 65 SÖDERTÄLJE tel. 08-550 664 55
Enköping	Östra Järnvägsgatan 1 745 37 ENKÖPING tel. 0171-271 75	Lidköping	Skaragatan 44 531 33 LIDKÖPING tel. 0510-48 40 30	Trollhättan	Betongvägen 11 461 38 TROLLHÄTTAN tel. 0520-48 85 85
Eskilstuna	Gap Sundins Väg 2 633 46 ESKILSTUNA tel. 016-51 52 15	Linköping	Gillbergagatan 42 582 73 LINKÖPING tel. 013-36 48 00	Umeå	Cementvägen 16 906 21 UMEÅ tel. 090-18 17 00
Falköping	521 88 KINNARP tel. 0515-380 35	Ljungby	Gängesvägen 6 341 31 LJUNGBY tel. 0372-818 20	Uppsala	Syveniusgatan 4 754 50 UPPSALA tel. 018-65 17 00
Falun	Krontallsvägen 28 791 55 FALUN tel. 023-794 46 00	Luleå	Midgårdsvägen 26 973 34 LULEÅ tel. 0920-101 70	Varberg	V. Vallgatan 2C 432 40 VARBERG tel. 0340-61 14 30
Gislaved	Regeringsgatan 14 332 30 GISLAVED tel. 0371-58 69 00	Lycksele	Umevägen 1 921 45 LYCKSELE tel. 070-2200875	Visby	Skarphällsgatan 13 621 41 VISBY tel. 0498-20 27 47
Gävle	Utmarksvägen 1 802 91 GÄVLE tel. 023-794 46 00	Malmö	Östra Hindbyvägen 63 213 74 MALMÖ tel. 040-14 34 20	Västervik	Storgatan 39 593 33 VÄSTERVIK tel. 0490-102 00
Göteborg	Ebbe Lieberathsgatan 30 412 65 GÖTEBORG tel. 031-703 27 00	Motala	Kyrkogatan 5 591 35 MOTALA tel. 0141-21 36 76	Västerås	Lysgränd 3 721 30 VÄSTERÅS tel. 021-10 82 00
Halmstad	Fyllebrovägen 16 302 60 HALMSTAD tel. 035-17 74 70	Norrköping	Koppargatan 24 602 23 NORRKÖPING tel. 011-31 30 00	Växjö	Sandvägen 8 352 45 VÄXJÖ tel. 0470-70 23 30
Helsingborg	Garnisonsgatan 22 254 66 HELSINGBORG tel. 042-38 83 00	Norrtälje	Danskes gränd 2 761 30 NORRTÄLJE tel. 08-556 910 00	Ystad	Militärvägen 2 271 39 YSTAD tel. 0411-55 22 50
Hudiksvall	Rönningevägen 2 824 34 HUDIKSVALL tel. 0650-991 91	Nyköping	Brunnsgatan 3 611 32 NYKÖPING tel. 0155-20 58 10	Örebro	Nastagatan 10 C 702 27 ÖREBRO tel. 019-20 92 30
Jönköping	Huskvarnavägen 80 554 54 JÖNKÖPING tel. 036-36 46 00	Skellefteå	Anderstorg 2 931 57 SKELLEFTEÅ tel. 0910-568 00	Örnsköldsvik	Terminalvägen 11 891 51 ÖRNSKÖLDSEVIK tel. 0660-812 00
Kalmar	Dagövägen 3 393 54 KALMAR tel. 0480-880 50	Skillingaryd	Götaströms Industriområde 568 00 SKILLINGARYD tel. 0370-37 55 90	Östersund	Splintvägen 3 831 72 ÖSTERSUND tel. 063-57 11 50
Karlskrona	Järavägen 6 371 49 KARLSKRONA tel. 0455-307530	Skövde	Norra Aspelundsvägen 1A 541 34 SKÖVDE tel. 0500-44 51 30		

**20 % rabatt ska dras av på angivna priser.**

# PANELS

20 % rabatt ska dras av på angivna priser.

# Panels

## Upholstery:

All panels are available in an Arper's broad range of fabric options further engaging the expression of the end user.

The materials listed in the following table are not suitable for the upholstery of **Parentesit Wall Panel** and **Freestanding** collection and the **Paravan** collection.

Supplier	Collection	Code Upholstery	Grade Upholstery	Program
Kvadrat	Colline	CN	G	Graded In
Kvadrat	Highfield 2	HI	*	Graded In
Arper	Soft Leather	PF	I	Carded In
Arper	Fine	P5	J	Carded In
Arper	Keen	P3	E	Carded In
Elmo Leather	Elmosoft	ES	ES	Carded In
Elmo Leather AB	Elmocoast	P4	H	Carded In
Serge Ferrari	Stamskin top	SF	E	Graded In
Spradling	Silvertex	SX	C	Carded In
Spradling	Valencia	VL	B	Carded In
Winter	Decovin Nappa	DC	F	Graded In
Vescom	Ponza	PN	D	Carded In

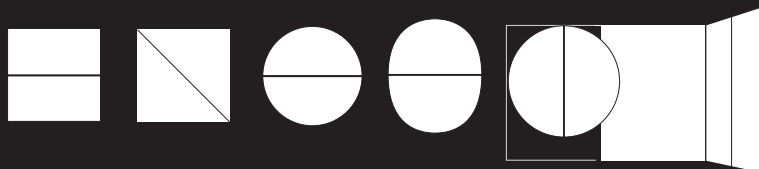
The Hallingdal 65 fabric is suitable for Parentesit Collection but not for Paravan Collection.

Kvadrat	Hallingdal 65	HA	G	Carded In
---------	---------------	----	---	-----------

20 % rabatt ska dras  på angivna priser.

# PARENTESIT

Design by  
Lievore Altherr Molina



20 % rabatt ska dras av på angivna priser.

# Parentesit

## Collection overview

### Wall Panel



Square version  
one colour or two colours  
version, with horizontal insert



Square version  
one color or two colors version,  
with diagonal insert

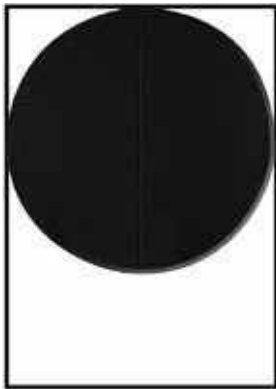


Round version  
one color or two colors version,  
with central insert

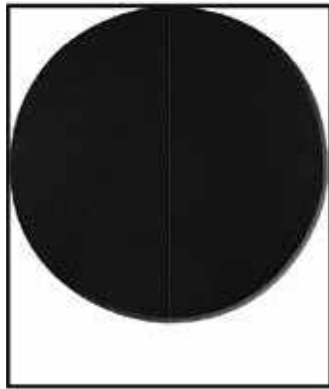


Oval version  
one color or two colors version,  
with central insert

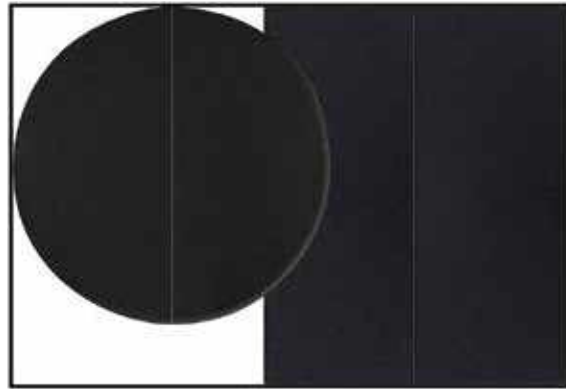
### Freestanding



Freestanding module made up  
of a round panel upholstered  
in one color fabric on a matt  
black metal base.



Freestanding module made up of  
a round panel upholstered in one  
color fabric on a matt black metal  
base.



Freestanding module made up of a round and a square  
panel upholstered in one color fabric, with the choice of  
a different color for one panel, and resting on a matt black  
metal base.



Freestanding module made up of a square panel  
upholstered in one color fabric on a matt black metal base.

20 % rabatt ska dras av på angivna priser.

# Parentesit Wall Panel

The primary forms of Parentesit can be arranged to articulate graphic patterns adaptable to any environment. The positions of the panels can further be assembled into different orientation options that extend the geometric visual language into compositions of parallel, perpendicular, or diagonal lines. All orientations of Parentesit can be determined in the installation process and, with only few tools required, can mount onto any wall surface. Minimal in form, minimal in effort.

The central aesthetic profile is available in the following colours:

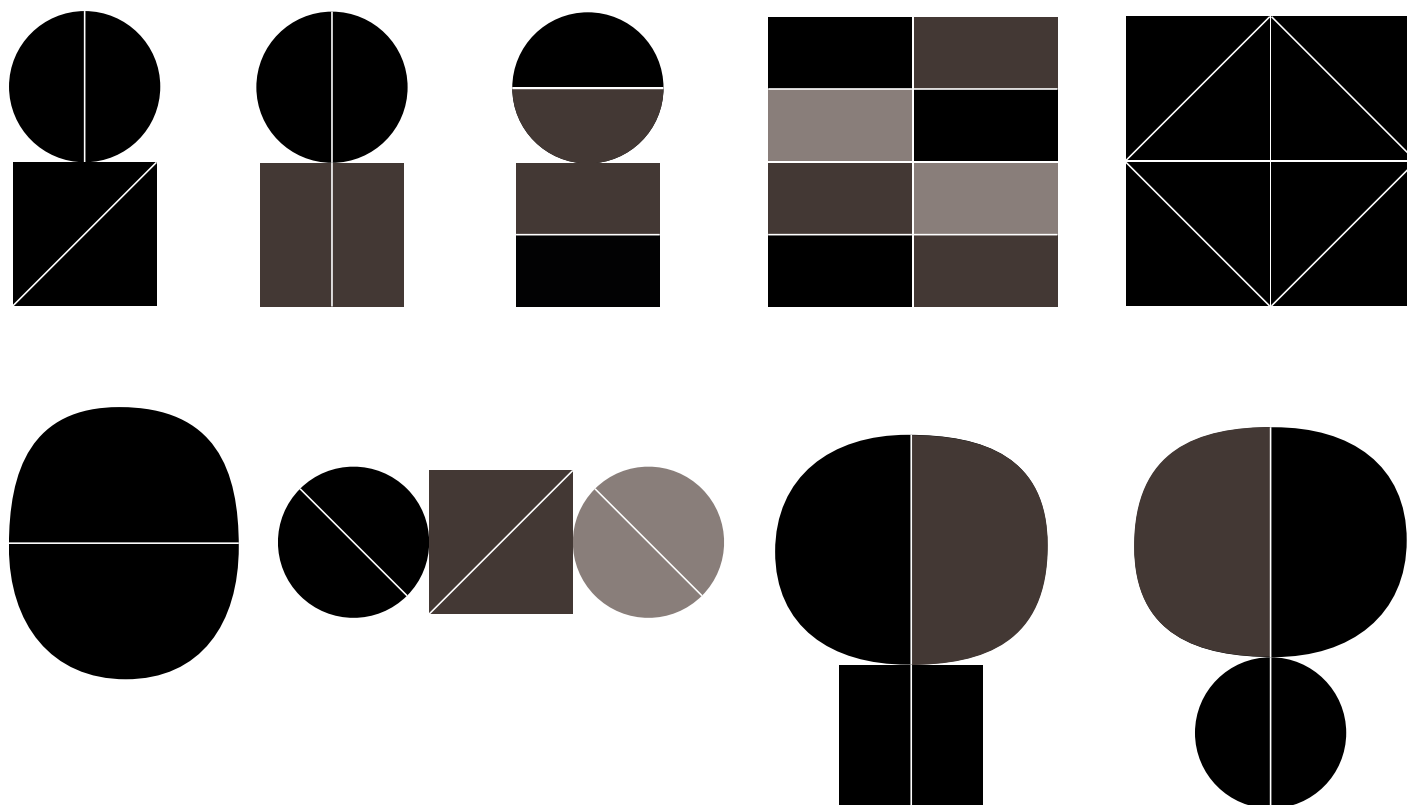
- V12 (White Matt)
- V39 (Black Matt)

Warranty: 2 years

The Parentesit Wall Panel is available with four options for embedded functionality.

- 1 Sound Absorbing:  
an acoustic panel version is made from certified sound absorbing materials for when quiet space is needed.
- 2 Light:  
a switch-operated, built-in light-enabled version enhances visual impact.
- 3 Audio:  
a Bluetooth-controlled audio speaker option allows the regulation of sound environment remotely.
- 4 Audio + Light:  
light-and-audio-enabled version with dimmer switch is manageable via dedicated app.dedicata (downloadable from App Store and Google Play).

## Composition examples



20 % rabatt ska dras av på angivna priser.

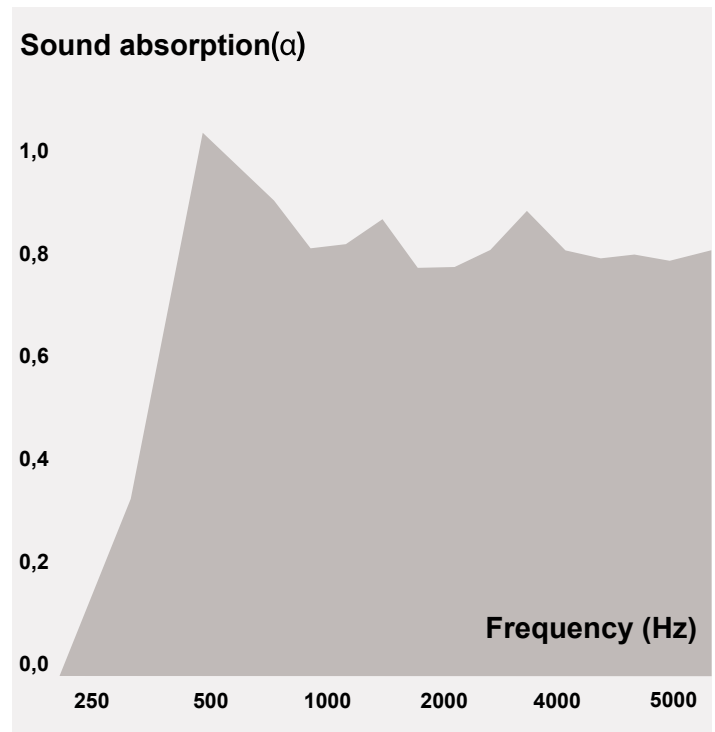
# Parentesit Wall Panel

The sound absorbing Parentesit Wall Panel is made from an internal panel that has been tested and certified for its superior performance in absorbing ambient sound. In the testing process, to maximize the effectiveness of the sound absorbing Parentesit Wall Panel, upholstery options are available in fabrics that help to muffle sound, giving additional protection against environmental noise and increased opportunity for quiet, uninterrupted work.

1 The internal panel was tested in a controlled echo chamber according to the UNI EN ISO 354 standard. The results shown here indicate absorption coefficients for every frequency tested, demonstrating the efficacy of Parentesit to reduce noise under a broad range of frequencies.

2 According to the industry standard used to classify sound absorbing material, ISO 11654, the values of sound absorbing coefficients are expressed by  $\alpha$ . This table shows the sound absorbing curves classified in classes from A to E, where A is the best.

Note: The sound absorbing characteristics are lost if it is upholstered with non breathable materials.



Example diagram

1

2

<b>Sound absorption (<math>\alpha</math>)</b>  <b>0,90</b>	<b>Sound absorption (<math>\alpha</math>)</b>  <b>0,85</b>	<b>Sound absorption (<math>\alpha</math>)</b>  <b>0,75</b>
<b>Fabrics:</b>  Jet Hallingdal 65 Tonus 4	<b>Fabrics:</b>  Field 2 Revive 1 Remix 2	<b>Fabrics:</b>  Canvas 2 Divina 3 Divina MD Divina Melange 2 Steelcut 2 Steelcut Trio 3
<b>Absorption Class</b>  <b>A</b>	<b>Absorption Class</b>  <b>B</b>	<b>Absorption Class</b>  <b>C</b>

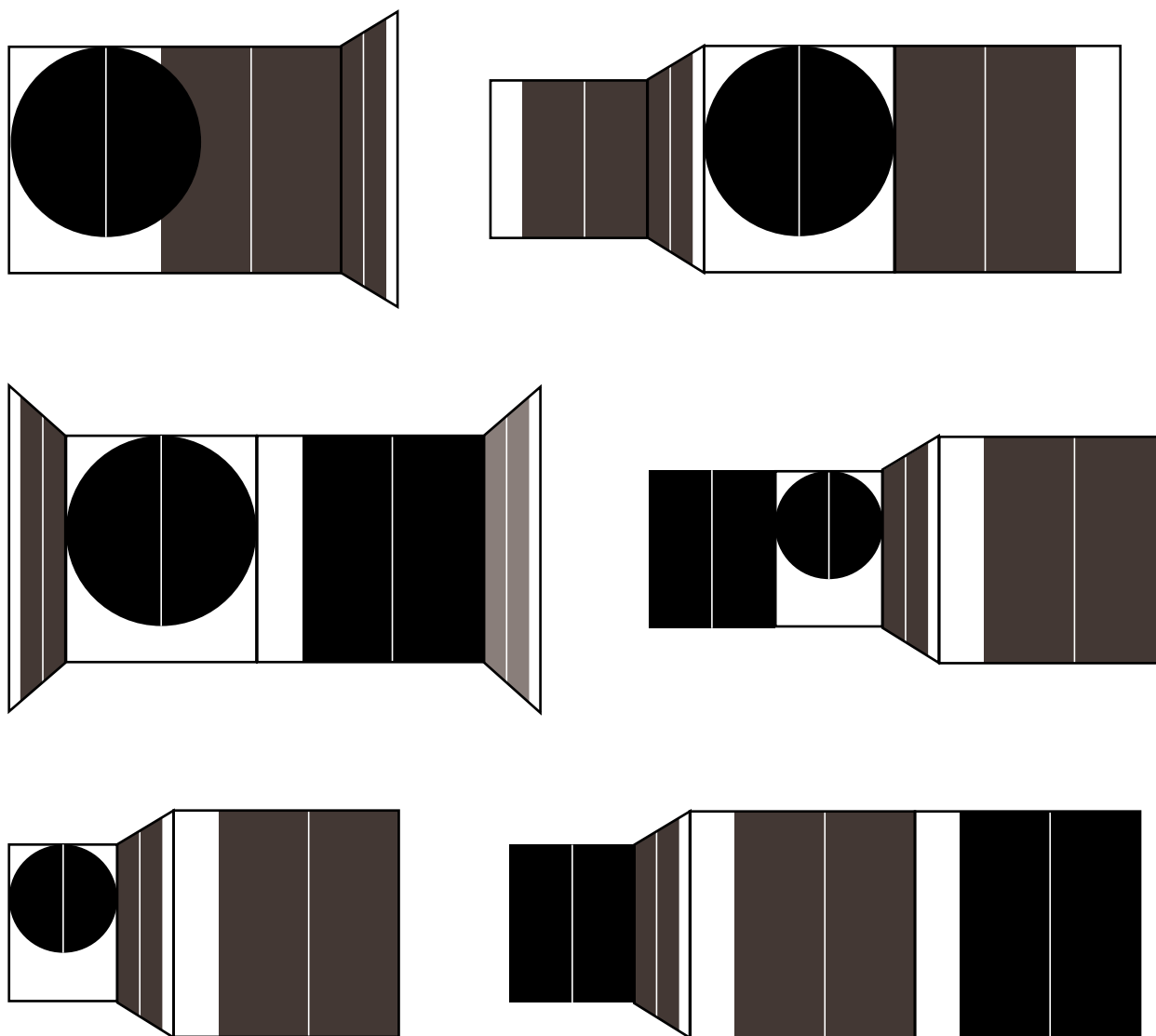
20 % rabatt ska dras av på angivna priser.



# Parentesit Freestanding

A private enclosure for collaborative work contexts. Freestanding Parentesit creates a retreat for individual, focused work or collaborative group discussions. Four versions — inset little circle, big circle, square, or circle and square combination — are each given structure and substance by a supportive frame. These modular pieces can be combined to create graphic expressions of archetypal forms or customized with color to generate bold compositions that articulate space and define shelter.

## Composition examples

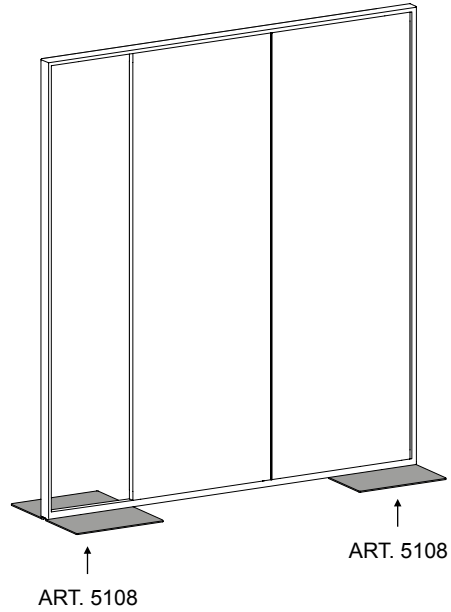


20 % rabatt ska dras av på angivna priser.

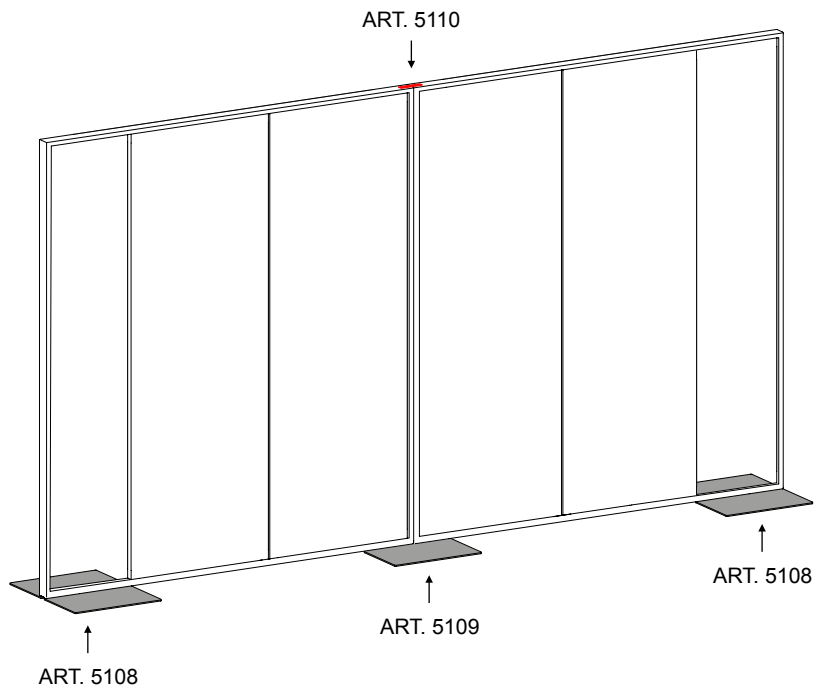
# Parentesit Freestanding

## Correct usage of plates and links

SINGLE MODULE



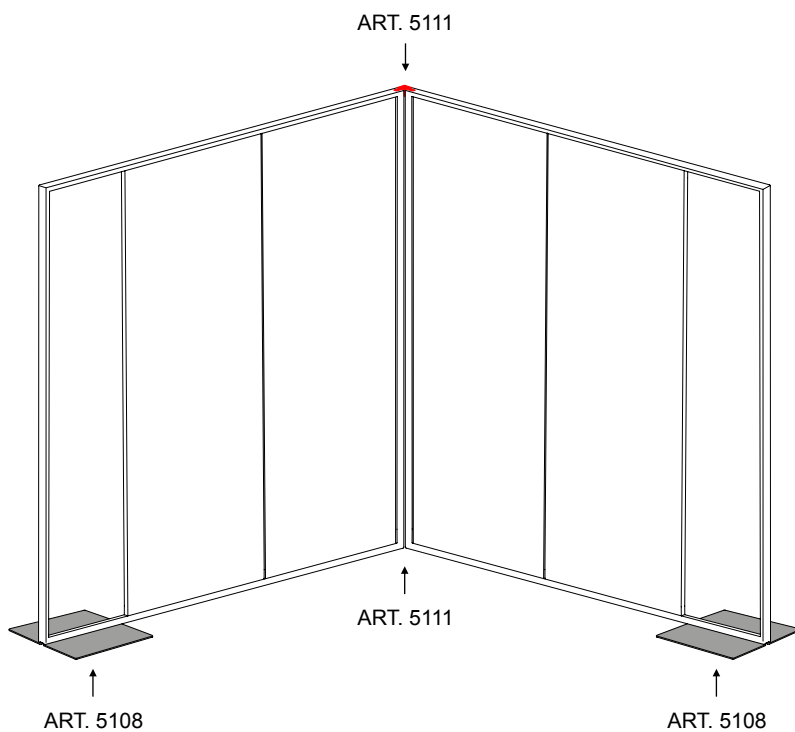
LINEAR MODULES



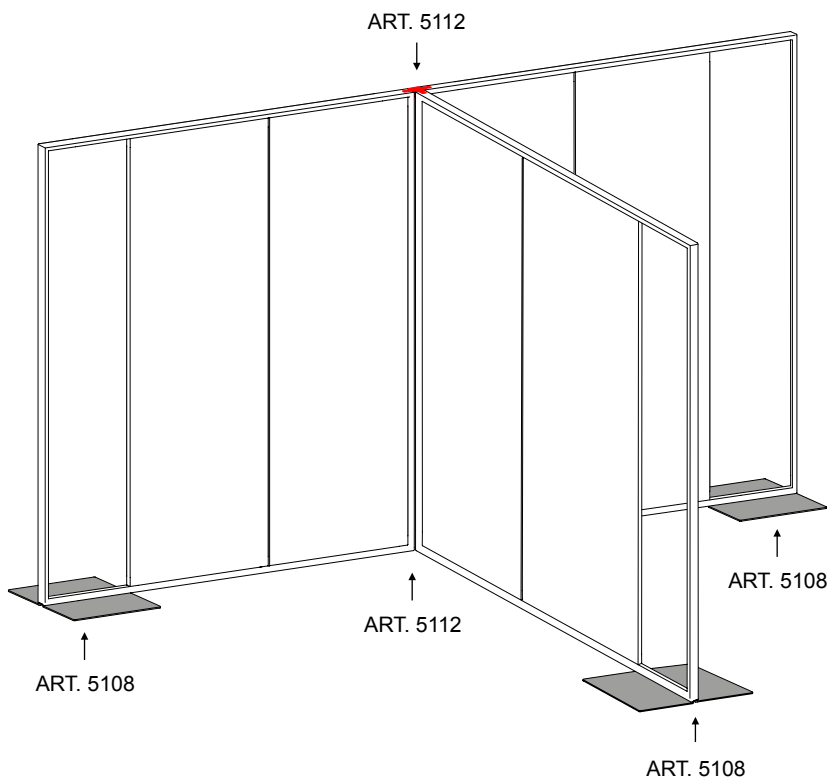
20 % rabatt ska dras ~~av~~ på angivna priser.

# Parentesit Freestanding

"L" MODULES



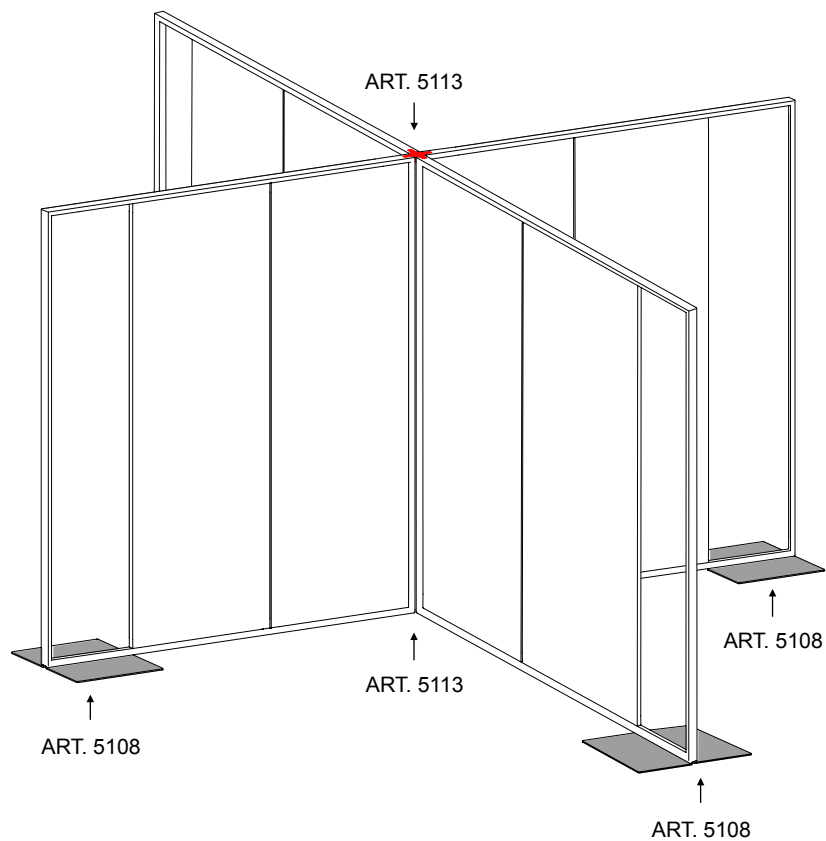
"T" MODULES



20 % rabatt ska dras ~~av~~ på angivna priser.

# Parentesit Freestanding

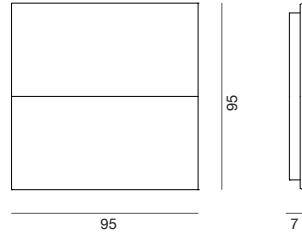
"+" MODULES



20 % rabatt ska dras ~~as per~~ på angivna priser.

# Parentesit Wall Panel

Design by Lievore Altherr Molina, 2015



Decorative modular wall panel that is sound-absorbent and can be accessorised with an audio or light, or audio + light system. Dimensions: 95 x 95 cm, available in one colour or two colours version, with horizontal insert (white or black). Electric cable not included.

SEK ART. 5100	A	B COM	C	D	E	F	G	H	I	J	K	L	M
Upholstered with a single material in one color	6640	6990	7340	7690	8040	8390	8740	9090	9440	9790	10140	10490	10840
Upholstered with a single material in two colors	+ 80	+ 130	+ 180	+ 230	+ 280	+ 330	+ 380	+ 430	+ 480	+ 530	+ 580	+ 630	+ 680
Optional LED light	+ 2710												
Optional speaker	+ 3110												

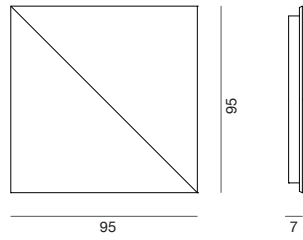
SHIPMENT DETAILS	TECHNICAL SPECIFICATIONS	RESISTANCE TEST
<b>Art. 5100</b> 1 pz = 1  - kg 19/ m² 0,12	<b>Art. 5100</b> H 140 cm. COM Meterage ml 1,3  Acoustic performance: Sound absorption coefficient "A" pursuant to the ISO 11654 standard = equivalent sound absorption area for sound-absorbing packet in m2 * Contact the company for specific data = Sound Absorption Area per each type of panel  Electrical/Audio/Lighting system: CE-marked product. The product has undergone very strict tests and obtained the most important European and international certifications.	
<b>FIRE RETARDANT TEST</b>		

20 % rabatt ska dras av på angivna priser.




## Parentesit Wall Panel

Design by Lievore Altherr Molina, 2015



Decorative modular wall panel that is sound-absorbent and can be accessorised with an audio or light, or audio + light system. Dimensions: 95 x 95 cm, available in one color or two colors version, with diagonal insert (white or black). Electric cable not included.

SEK ART. 5101	A	B COM	C	D	E	F	G	H	I	J	K	L	M
Upholstered with a single material in one color	6630	6940	7250	7560	7870	8180	8490	8800	9110	9420	9730	10040	10350
Upholstered with a single material in two colors	+ 430	+ 730	+ 1030	+ 1330	+ 1630	+ 1930	+ 2230	+ 2530	+ 2830	+ 3130	+ 3430	+ 3730	+ 4030
Optional LED light	+ 2710												
Optional speaker	+ 3110												

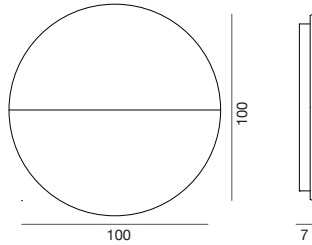
SHIPMENT DETAILS	TECHNICAL SPECIFICATIONS	RESISTANCE TEST
<b>Art. 5101</b> 1 pz = 1  - kg 19/ m² 0,12	<b>Art. 5101</b> H 140 cm. COM Meterage ml 1,28  Acoustic performance: Sound absorption coefficient "A" pursuant to the ISO 11654 standard = equivalent sound absorption area for sound-absorbing packet in m2 * Contact the company for specific data = Sound Absorption Area per each type of panel  Electrical/Audio/Lighting system: CE-marked product. The product has undergone very strict tests and obtained the most important European and international certifications.	
<b>FIRE RETARDANT TEST</b>		

20 % rabatt ska dras av på angivna priser.

arper

# Parentesit Wall Panel

Design by Lievore Altherr Molina, 2015



Decorative modular wall panel that is sound-absorbent and can be accessorised with an audio or light, or audio + light system.  
Dimensions: Ø 100 cm, available in one color or two colors version, with central insert (white or black). Electric cable not included.

SEK ART. 5102	A	B COM	C	D	E	F	G	H	I	J	K	L	M
Upholstered with a single material in one color	6760	7130	7500	7870	8240	8610	8980	9350	9720	10090	10460	10830	11200
Upholstered with a single material in two colors	+ 30	+ 100	+ 170	+ 240	+ 310	+ 380	+ 450	+ 520	+ 590	+ 660	+ 730	+ 800	+ 870
Optional LED light	+ 2350												
Optional speaker	+ 3110												

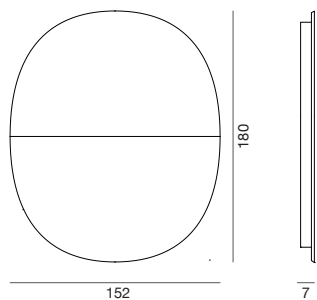
SHIPMENT DETAILS	TECHNICAL SPECIFICATIONS	RESISTANCE TEST
<b>Art. 5102</b> 1 pz = 1  - kg 18/ m² 0,12	<b>Art. 5102</b> H 140 cm. COM Meterage ml 1,4  Acoustic performance: Sound absorption coefficient "A" pursuant to the ISO 11654 standard = equivalent sound absorption area for sound-absorbing packet in m2 * Contact the company for specific data = Sound Absorption Area per each type of panel  Electrical/Audio/Lighting system: CE-marked product. The product has undergone very strict tests and obtained the most important European and international certifications.	
<b>FIRE RETARDANT TEST</b>		

20 % rabatt ska dras av på angivna priser.

arper


## Parentesit Wall Panel

Design by Lievore Altherr Molina, 2015



Decorative modular wall panel that is sound-absorbent and can be accessorised with an audio or light, or audio + light system. Dimensions: oval 180 x 152 cm, consisting of two separable halves, available in one color or two colors version. Electric cable not included.

SEK ART. 5103	A	B COM	C	D	E	F	G	H	I	J	K	L	M
Upholstered with a single material in one color	12420	13230	14040	14850	15660	16470	17280	18090	18900	19710	20520	21330	22140
Upholstered with a single material in two colors	+ 120	+ 200	+ 280	+ 360	+ 440	+ 520	+ 600	+ 680	+ 760	+ 840	+ 920	+ 1000	+ 1080
Optional LED light	+ 5680												
Optional speaker	+ 3110												

SHIPMENT DETAILS	TECHNICAL SPECIFICATIONS	RESISTANCE TEST
<b>Art. 5103</b> 1 pz = 1  - kg 29/ m² 0,32	<b>Art. 5103</b> H 140 cm. COM Meterage ml 3,51  Acoustic performance: Sound absorption coefficient "A" pursuant to the ISO 11654 standard = equivalent sound absorption area for sound-absorbing packet in m2 * Contact the company for specific data = Sound Absorption Area per each type of panel  Electrical/Audio/Lighting system: CE-marked product. The product has undergone very strict tests and obtained the most important European and international certifications.	
<b>FIRE RETARDANT TEST</b>		

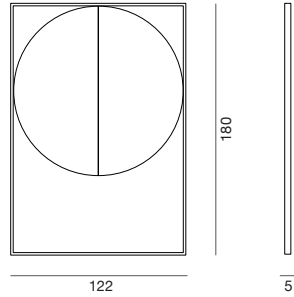
20 % rabatt ska dras av på angivna priser.

arper



## Parentesit Freestanding

Design by Lievore Altherr Molina, 2016




Freestanding module made up of a round panel upholstered in one color fabric on a matt black metal base. The internal decorative panel as sound absorption features, it is also available in two color upholstery with a surcharge. Fixing plate and connection kit are supplied separately for the creation of modular compositions.

**Accessories:**

Link kit for "+" modules Art. 5113  
Link kit for "T" modules Art. 5112  
Plate single junction Art. 5109

Link kit for "L" modules Art. 5111  
Link kit for linear modules Art. 5110  
Standard single plate Art. 5108

<b>SEK ART. 5104</b>	A	B COM	C	D	E	F	G	H	I	J	K	L	M	
Upholstered with a single material in just one color	13070	13840	14610	15380	16150	16920	17690	18460	19230	20000	20770	21540	22310	
Upholstered with a single material in two colors: surcharge	+ 30	+ 50	+ 70	+ 90	+ 110	+ 130	+ 150	+ 170	+ 190	+ 210	+ 230	+ 250	+ 270	
Set of glides for single panel	+ 1720													

SHIPMENT DETAILS	TECHNICAL SPECIFICATIONS	RESISTANCE TEST
<b>Art. 5104</b> 1 pz = 3  - kg 29/ m <sup>2</sup> 0,13	<b>Art. 5104</b> H 140 cm. COM Meterage ml 2,8	
FIRE RETARDANT TEST		

Frame Base



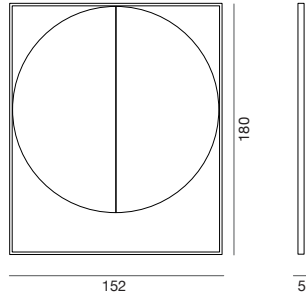
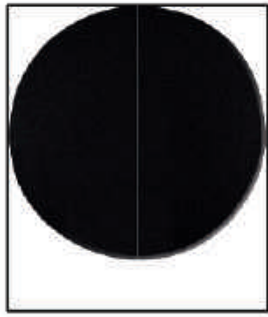
V39  
matt

20 % rabatt ska dras av på angivna priser.

arper

# Parentesit Freestanding

Design by Lievore Altherr Molina, 2016




Freestanding module made up of a round panel upholstered in one color fabric on a matt black metal base. The internal decorative panel as sound absorption features, it is also available in two color upholstery with a surcharge. Fixing plate and connection kit are supplied separately for the creation of modular compositions.

**Accessories:**

Link kit for "+" modules Art. 5113  
 Link kit for "T" modules Art. 5112  
 Plate single junction Art. 5109

Link kit for "L" modules Art. 5111  
 Link kit for linear modules Art. 5110  
 Standard single plate Art. 5108

SEK ART. 5105	A	B COM	C	D	E	F	G	H	I	J	K	L	M
Upholstered with a single material in just one color	16750	17810	18870	19930	20990	22050	23110	24170	25230	26290	27350	28410	29470
Upholstered with a single material in two colors: surcharge	+ 340	+ 570	+ 800	+ 1030	+ 1260	+ 1490	+ 1720	+ 1950	+ 2180	+ 2410	+ 2640	+ 2870	+ 3100
Set of glides for single pannel	+ 1720												

SHIPMENT DETAILS	TECHNICAL SPECIFICATIONS	RESISTANCE TEST
<b>Art. 5105</b> 1 pz = 3  - kg 35/ m² 0,18	<b>Art. 5105</b> H 140 cm. COM Meterage ml 4,4	
<b>FIRE RETARDANT TEST</b>		

Frame Base



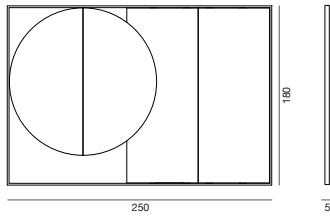
V39  
matt

20 % rabatt ska dras av på angivna priser.



# Parentesit Freestanding

Design by Lievore Altherr Molina, 2016



Freestanding module made up of a round and a square panel upholstered in one color fabric, with the choice of a different color for one panel, and resting on a matt black metal base. The internal decorative panels have sound absorption features. Fixing plate and connection kit are supplied separately for the creation of modular compositions.

**Accessories:**

Link kit for "+" modules Art. 5113  
Link kit for "T" modules Art. 5112  
Plate single junction Art. 5109

Link kit for "L" modules Art. 5111  
Link kit for linear modules Art. 5110  
Standard single plate Art. 5108

SEK ART. 5106	A	B COM	C	D	E	F	G	H	I	J	K	L	M	
Upholstered with a single material in one/two colors	28850	30910	32970	35030	37090	39150	41210	43270	45330	47390	49450	51510	53570	
Set of glides for single pannel	+ 1720													

SHIPMENT DETAILS	TECHNICAL SPECIFICATIONS	RESISTANCE TEST
<b>Art. 5106</b> 1 pz = 3  - kg 59/ m² 0,35 	<b>Art. 5106</b> H 140 cm. COM Meterage ml 8,43	
FIRE RETARDANT TEST		

Frame Base



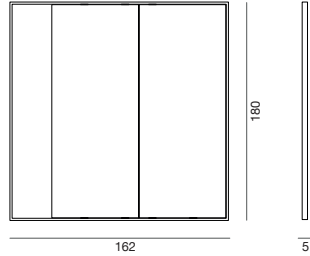
V39  
matt

20 % rabatt ska dras av på angivna priser.

arper

# Parentesit Freestanding

Design by Lievore Altherr Molina, 2016




Freestanding module made up of a square panel upholstered in one color fabric on a matt black metal base. The internal decorative panel as sound absorption features, it is also available in two color upholstery with a surcharge. Fixing plate and connection kit are supplied separately for the creation of modular compositions.

**Accessories:**

Link kit for "+" modules Art. 5113  
 Link kit for "T" modules Art. 5112  
 Plate single junction Art. 5109

Link kit for "L" modules Art. 5111  
 Link kit for linear modules Art. 5110  
 Standard single plate Art. 5108

SEK ART. 5107	A	B COM	C	D	E	F	G	H	I	J	K	L	M
Upholstered with a single material in just one color	16470	17470	18470	19470	20470	21470	22470	23470	24470	25470	26470	27470	28470
Upholstered with a single material in two colors: surcharge	+ 30	+ 50	+ 70	+ 90	+ 110	+ 130	+ 150	+ 170	+ 190	+ 210	+ 230	+ 250	+ 270
Set of glides for single pannel	+ 1720												

SHIPMENT DETAILS	TECHNICAL SPECIFICATIONS	RESISTANCE TEST
<b>Art. 5107</b> 1 pz = 3  - kg 34/ m² 0,16	<b>Art. 5107</b> H 140 cm. COM Meterage ml 4,03	
<b>FIRE RETARDANT TEST</b>		

Frame Base



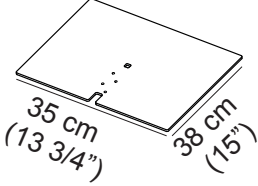
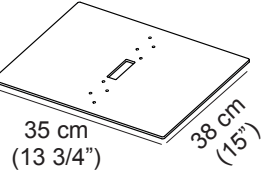
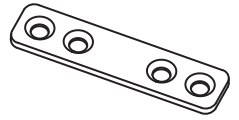
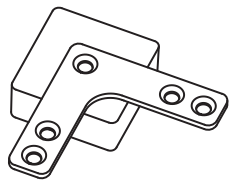
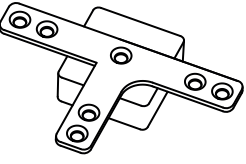
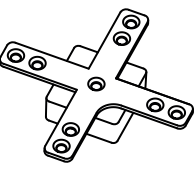
V39  
matt







20 % rabatt ska dras av på angivna priser.

arper

# Parentesit Freestanding

Design by Lievore Altherr Molina, 2016

<p><b>SEK ART. 5108</b></p>  <p>35 cm (13 3/4") 38 cm (15")</p> <p>Standard single plate</p> <p>870</p>	<p><b>SEK ART. 5109</b></p>  <p>35 cm (13 3/4") 38 cm (15")</p> <p>Plate single junction</p> <p>870</p>	<p><b>SEK ART. 5110</b></p>  <p>Link kit for linear modules</p> <p>490</p>	<p><b>SEK ART. 5111</b></p>  <p>Link kit for "L" modules</p> <p>490</p>	<p><b>SEK ART. 5112</b></p>  <p>Link kit for "T" modules</p> <p>490</p>
<p><b>SEK ART. 5113</b></p>  <p>Link kit for "+" modules</p> <p>490</p>				

SHIPMENT DETAILS		TECHNICAL SPECIFICATIONS	
<b>Art. 5108</b>	1 pz = 1  - kg 8/ m³ 0,008	<b>Art. 5109</b>	1 pz = 1  - kg 8/ m³ 0,008
<b>Art. 5110</b>	1 pz = 1  - kg 1/ m³ 0,004	<b>Art. 5111</b>	1 pz = 1  - kg 1/ m³ 0,004
<b>Art. 5112</b>	1 pz = 1  - kg 1/ m³ 0,004	<b>Art. 5113</b>	1 pz = 1  - kg 1/ m³ 0,004
<b>FIRE RETARDANT TEST</b>			

20 % rabatt ska dras av på angivna priser.